

# **///MARINEPOWER<sup>®</sup>**

*The Force Behind The Fun.<sup>™</sup>*

## **5.7 L PARTS MANUAL**



17506 Marine Power Industrial Park  
Ponchatoula, LA 70454  
Parts Direct Line: (985) 386-3571 or (877) 388-9555  
Parts Direct Fax: (985) 386-4010

<u>Group #</u>	<u>Group / Category</u>	<u>Page #</u>
<b>06</b>	<b>Electrical</b>	
	Alternator System	54
	Ignition System (Carbureted)	55-56
	Ignition System (HVS)	57
	Wiring Harnesses	58
	EFI Components	59-60
	Component Brackets	61
	Sensors & Switches	62
	Misc. Wires	63-64
<b>07</b>	<b>Power Steering</b>	
	Power Steering System	66-67
<b>08</b>	<b>Mounts</b>	
	Engine Mounts	69-70
	Gear Mounts	69-70
<b>09</b>	<b>Oil Filter</b>	
	Base Oil System	72
	Single Remote Oil System	73
	Dual Remote Oil System	74
<b>10</b>	<b>Fittings</b>	
	Fittings	76
	Exhaust Fittings and Hardware	77
<b>11</b>	<b>Kits &amp; Accessories</b>	
	Kits & Accessories	79

# Table of Contents

<u>Group #</u>	<u>Group / Category</u>	<u>Page #</u>
<b>00</b>	<b>Base</b>	
	Engine Components (CAM)	6
	Engine Components (OIL)	7
	Engine Components (Crank Assembly)	8-9
	Engine Components (Cylinder Heads)	10
	Intake Manifold and Components	11-12
<b>01</b>	<b>Fuel</b>	
	Fuel System Illustrations	17
	G Force Fuel System	18-19
	Basic Fuel System	18-19
	Fuel Lines	20
	Carburetors	21
	Intake Manifold (Carbureted)	22
	Fuel Brackets & Accessories	23
	Weather Covers & Flame Arrestors	25
<b>02</b>	<b>Cooling</b>	
	Heat Exchangers	27
	Heat Exchanger Brackets	28
	Water Pumps & Pulleys	29-30
	Coolers & Couplers	31-32
	Thermostat Housings	33
	Thermostats & Reserve Bottle	34
	Lift Hooks & Brackets	35
	Hoses	36-37
	Clamps	37
<b>03</b>	<b>Drive</b>	
	Drives (Gears)	39
	Bellhousings & Flywheels	40-41
	Dust Covers	41
	Starters	42
	Couplers & Dampeners	43
	Gear Accessories & Brackets	44-45
<b>04</b>	<b>Oil Pan</b>	
	Oil Pan & Banjo Fitting	47
<b>05</b>	<b>Exhaust</b>	
	Exhaust Manifolds	50-52
	Exhaust Risers	50-52
	Block Off Plates	50-52
	Gaskets	50-52

# MANUAL INSTRUCTIONS

This manual is a tool that if properly used will allow dealers, distributors, and owners to easily locate, identify, and order replacement parts for a Marine Power 5.7L engine.

**If you cannot identify or locate your part in this manual, please contact your nearest Marine Power distributor or dealer for assistance.**

Thank you for purchasing Marine Power products.

## INSTRUCTIONS

When placing an order, a Marine Power part number must be used. In order to obtain the Marine Power part number, the part must be visually identified. Follow the directions below to simplify this process.

**1. First**, you must determine which Category or Group your part belongs to. Category / Groups and their corresponding page numbers are located in the table of contents. (Next Page).

**2. Second**, Determine what type of part you are looking for.

**Example:** Starter, Flywheel, Exhaust Manifold

**3. Third**, find the page number that corresponds to the type of part you are looking for.

**4. Fourth**, go to the page number(s) listed and look for the part that matches the part you are looking for.

**5. Fifth**, find the number in the illustration that matches your part, then match that number to the left hand column. In that row you will see a part number and product description.

**6. Last**, Write the part number down and call your Marine Power Dealer or Distributer to place your order.

## ENGINE IDENTIFICATION

All engines are assigned a serial number. A history file is created for each engine and all information regarding the engine is put into the file. The engine serial number is located on a metal plate affixed to the engine. The serial number of the engine **must** be given in all communications concerning the engine.



## ENGINE MODEL DESIGNATION

J	5.7V	- NW	
ENGINE TYPE	DISPLACEMENT / TYPE	PACKAGE	
B - Base	Metric	S - Standard	SKI4
A - Airpac	Cubic Inch	P - Premium	TIGE
E - EnPac		X - Performance	TIGE315
S - SportPac	V - Vortec	NW - Northwest	
J - Jetpac		CAL- California	
P - Parpac		SKI - Ski Boat	

## WARRANTY CLAIM POLICY

The applicable engine warranty is to be followed in all warranty situations. Under normal circumstances, customers should make any request for warranty to their selling dealer. If the customer is in transit, all efforts should be made by the dealer to remedy any engine warranty problems the customer may have.

The dealer should always investigate the customer's complaint and determine if a warranty situation does exist. It is the dealers' responsibility to inform the user that minor adjustments, tune-ups, detonation, water ingestion from an outside source are not warrantable situations. If it is determined that the situation is not warrantable, the dealer should then resolve the problem in a professional and courteous manner.

## WARRANTY PROCEDURE

When an engine problem is determined to be a warranty the dealer should:

1. Contact the distributor for authorization if the engine was a repower installation.
2. Contact Marine Power if the engine was installed by an OEM or boat manufacturer.

***At no time should an engine be disassembled without prior approval.***

## TIME LIMIT FOR FILING CLAIMS

Warranty claims must be filled out in their entirety and submitted within 30 days of the labor being performed.

**/// MARINE POWER<sup>®</sup>**

*The Force Behind The Fun.*

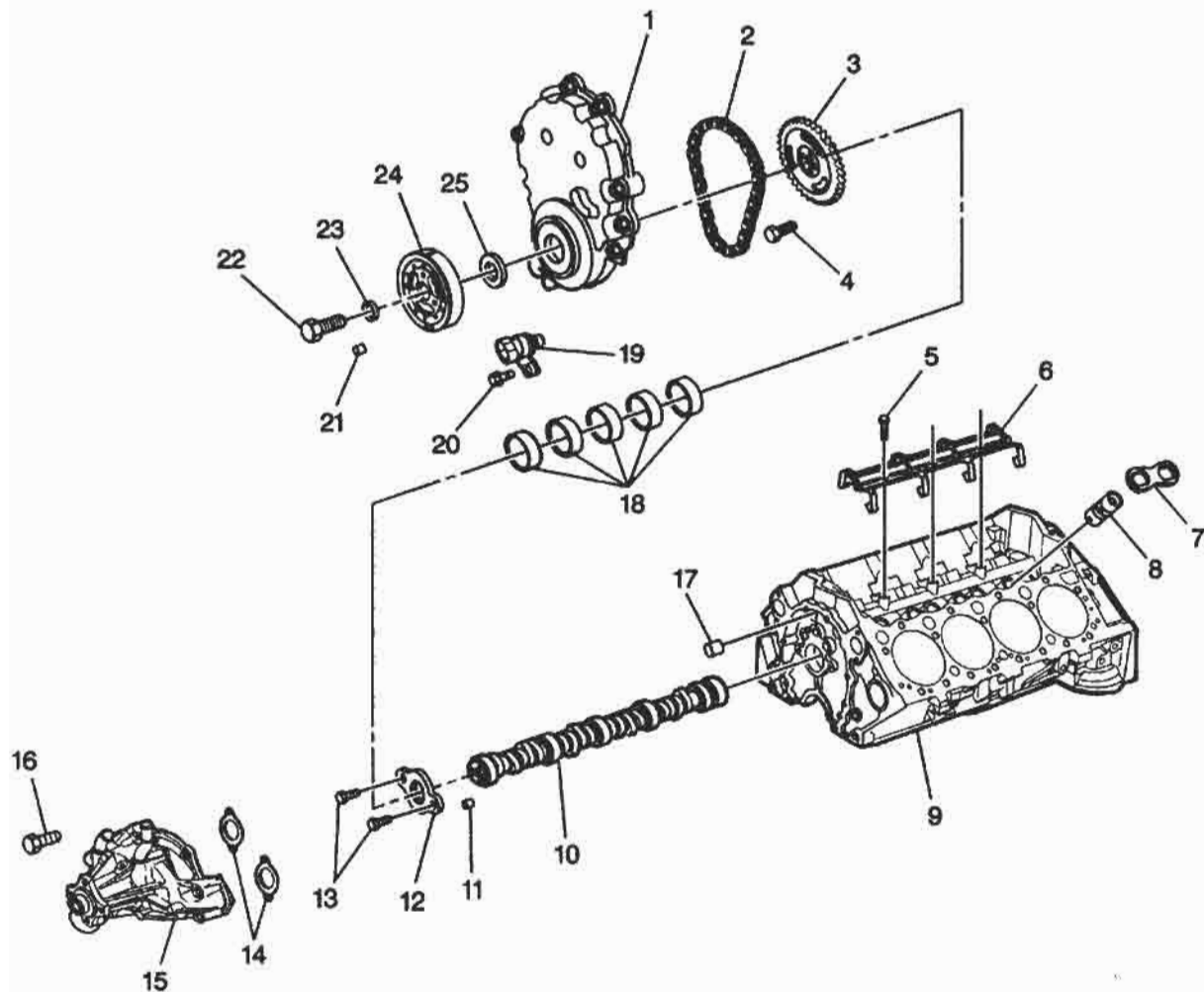
**Base Engine**



**/// MARINE POWER<sup>®</sup>**

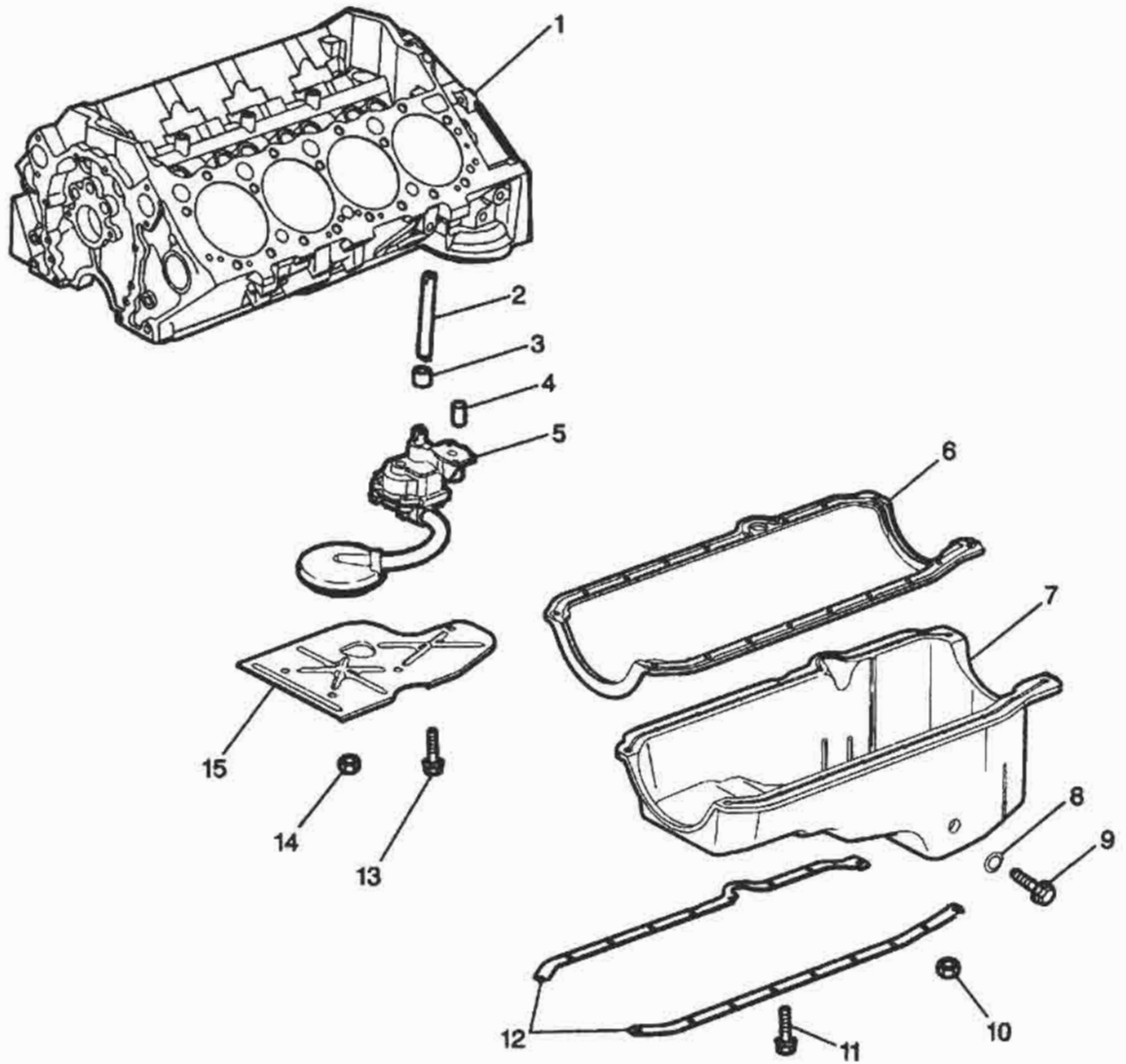
*The Force Behind The Fun.*

# Engine Components



- |                                      |                                             |
|--------------------------------------|---------------------------------------------|
| (1) Engine Front Cover               | (15) Water Pump                             |
| (2) Camshaft Timing Chain            | (16) Water Pump Bolt                        |
| (3) Camshaft Sprocket                | (17) Engine Block Oil Gallery Plug          |
| (4) Camshaft Sprocket Bolt           | (18) Camshaft Bearings                      |
| (5) Valve Lifter Guide Retainer Bolt | (19) Crankshaft Position Sensor             |
| (6) Valve Lifter Guide Retainer      | (20) Crankshaft Position Sensor Bolt        |
| (7) Valve Lifter Guide               | (21) Front Groove Pin (Crankshaft Balancer) |
| (8) Valve Lifter                     | (22) Crankshaft Balancer Bolt               |
| (9) Engine Block                     | (23) Crankshaft Balancer Bolt Washer        |
| (10) Engine Camshaft                 | (24) Crankshaft Balancer                    |
| (11) Camshaft Sprocket Locator Pin   | (25) Crankshaft Front Oil Seal              |
| (12) Camshaft Retainer               |                                             |
| (13) Camshaft Retainer Bolt          |                                             |
| (14) Water Pump Gasket               |                                             |

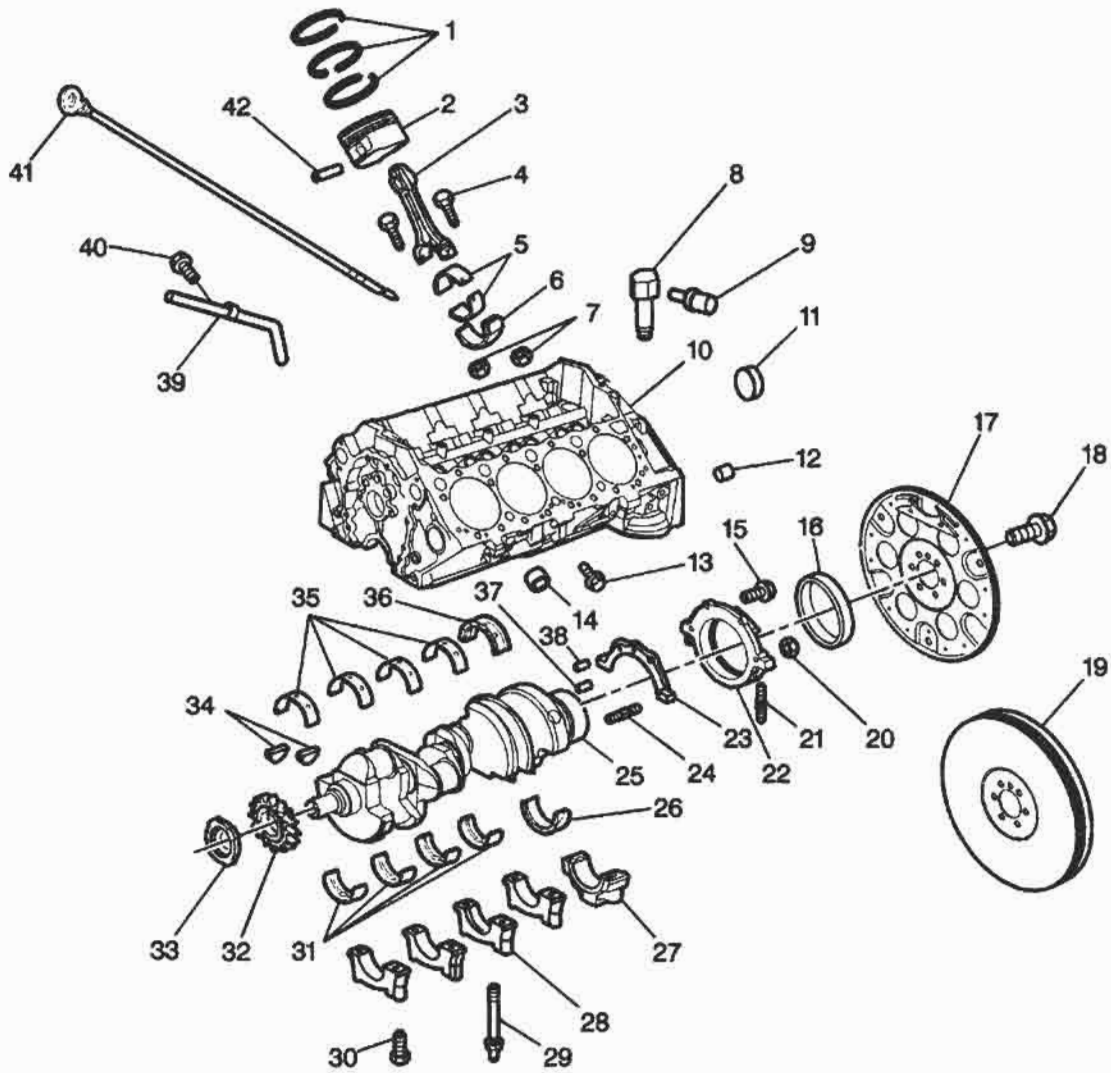
# Engine Components



- (1) Engine Block
- (2) Oil Pump Driveshaft
- (3) Oil Pump Driveshaft Retainer
- (4) Pin (Oil Pump Locator)
- (5) Oil Pump
- (6) Oil Pan Gasket
- (7) Oil Pan
- (8) Oil Pan Drain Plug Seal (O-ring)

- (9) Oil Pan Drain Plug
- (10) Oil Pan Nut
- (11) Oil Pan Bolt
- (12) Oil Pan Reinforcement
- (13) Crankshaft Oil Deflector Bolt
- (14) Crankshaft Oil Deflector Nut
- (15) Crankshaft Oil Deflector

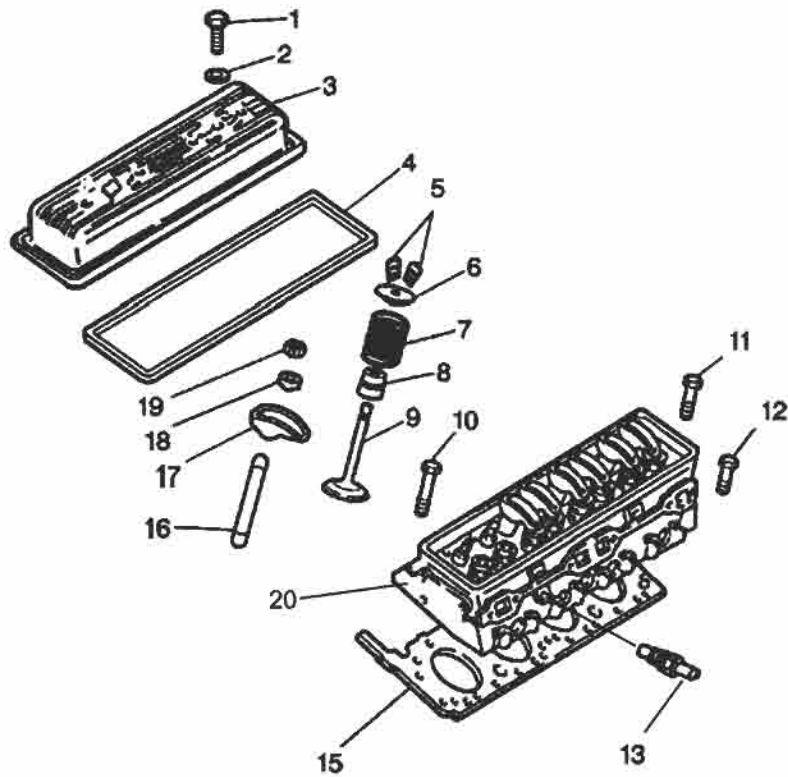
# Engine Block & Components



- |                                                      |                                               |
|------------------------------------------------------|-----------------------------------------------|
| (1) Piston Ring Kit                                  | (16) Crankshaft Rear Oil Seal                 |
| (2) Piston                                           | (17) Engine Flywheel (Automatic Transmission) |
| (3) Connecting Rod                                   | (18) Flywheel Bolt                            |
| (4) Connecting Rod Bolt                              | (19) Engine Flywheel (Manual Transmission)    |
| (5) Connecting Rod Bearings                          | (20) Crankshaft Rear Oil Seal Housing Nut     |
| (6) Connecting Rod Cap                               | (21) Crankshaft Rear Oil Seal Housing Stud    |
| (7) Hex Nut (Connecting Rod)                         | (22) Crankshaft Rear Oil Seal Housing         |
| (8) Engine Oil Pressure Gauge Sensor Fitting         | (23) Crankshaft Rear Oil Seal Housing Gasket  |
| (9) Engine Oil Pressure Gauge Sensor                 | (24) Crankshaft Rear Oil Seal Housing Stud    |
| (10) Engine Block                                    | (25) Crankshaft                               |
| (11) Expansion Cup Plug (Camshaft Rear Bearing Hole) | (26) Crankshaft Bearing (Rear Thrust Bearing) |
| (12) Dowel Straight Pin (Transmission Locator)       | (27) Crankshaft Bearing Cap (Rear)            |
| (13) Engine Block Coolant Drain Hole Plug            | (28) Crankshaft Bearing Cap                   |
| (14) Engine Block Core Hole Plug                     | (29) Crankshaft Bearing Cap Stud              |
| (15) Crankshaft Rear Oil Seal Housing Bolt           | (30) Crankshaft Bearing Cap Bolt              |
|                                                      | (31) Crankshaft Bearings                      |

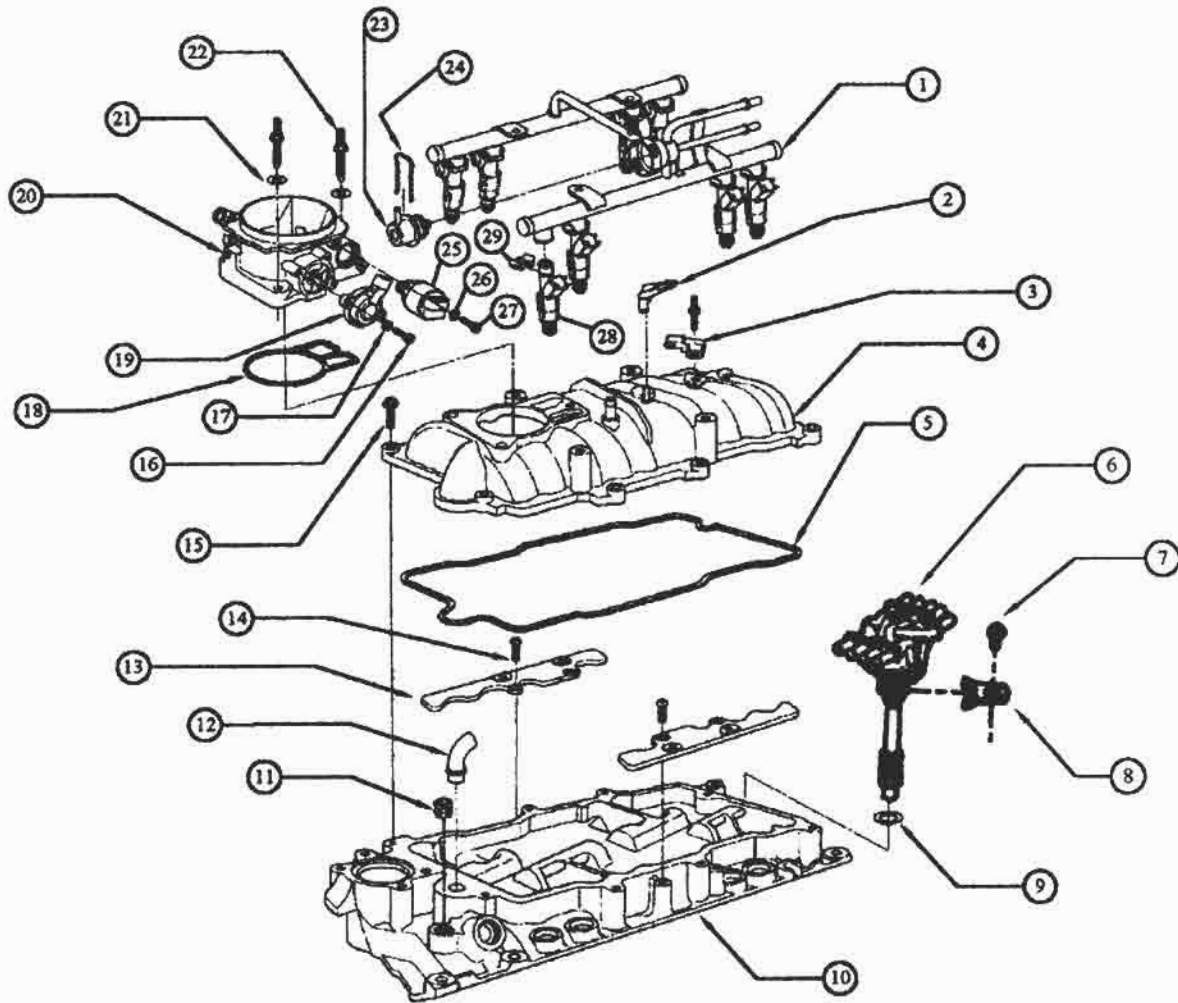
- (32) Crankshaft Sprocket
- (33) Crankshaft Position Sensor Reluctor Ring
- (34) Woodruff Keys (Crankshaft Balancer)
- (35) Crankshaft Bearing
- (36) Crankshaft Bearing (Rear Thrust Bearing)
- (37) Spring Type S Pin (Flywheel Locator)
- (38) Spring Type S Pin (Crankshaft Rear Oil Seal Housing Locator)
- (39) Oil Level Indicator Tube
- (40) Oil Level Indicator Tube Bolt
- (41) Oil Level Indicator
- (42) Piston Pin

# Head Components



- |                                                    |                            |
|----------------------------------------------------|----------------------------|
| (1) Valve Rocker Arm Cover Bolt                    | (14) N/A                   |
| (2) Valve Rocker Arm Cover Bolt Washer             | (15) Cylinder Head Gasket  |
| (3) Valve Rocker Arm Cover                         | (16) Valve Pushrod         |
| (4) Valve Rocker Arm Cover Gasket                  | (17) Valve Rocker Arm      |
| (5) Valve Stem Keys                                | (18) Valve Rocker Arm Ball |
| (6) Valve Spring Cap                               | (19) Valve Rocker Arm Nut  |
| (7) Valve Spring                                   |                            |
| (8) Valve Stem Oil Seal                            |                            |
| (9) Valve                                          |                            |
| (10) Cylinder Head Bolt (Long)                     |                            |
| (11) Cylinder Head Bolt (Medium)                   |                            |
| (12) Cylinder Head Bolt (Short)                    |                            |
| (13) Engine Coolant Temperature (ECT) Gauge Sensor |                            |

# EFI Intake Manifold



1. Fuel Rail
2. Pressure Regulator Vacuum Tube Assembly
3. Bosch Mapp and Mat Sensor
4. Upper Plenum
5. Upper Plenum Bracket
6. HVS ( High Voltage Switch )
7. HVS Bolt
8. Clamp
9. Distributor Gasket ( seal )
10. Lower Plenum
11. 3/8 in. Plug
12. Water Outlet
13. Coil Pack Mounting Bracket
14. Coil Pack Mounting Bracket Bolt
15. Upper Plenum Mounting Bolt
16. TPS mounting bolt
17. TPS washer
18. Throttle Body Gasket
19. TPS ( Throttle Position Sensor )
20. Throttle Body

21. Washer
  22. GM Double Post Mount Screw
  23. Fuel Pressure Regulator
  24. Fuel Pressure Regulator Retainer Clip
  25. IAC ( Idle Air Control)
  26. IAC washer
  27. IAC mounting bolt
  28. Fuel Injector
  29. Fuel Injector Retainer Clip
-

## Base Engine Components

<u>ITEM</u>	<u>PART NUMBER</u>	<u>DESCRIPTION</u>
<b><u>PAGE 6</u></b>		
<b><u>ENGINE COMPONENTS (CAM)</u></b>		
1	GM570700105	Engine Front Cover
2	GM570700205	Camshaft Timing Chain
3	GM570700305	Camshaft Sprocket
4	GM570700405	Camshaft Sprocket Bolt
5	GM570700505	Valve Lifter Guide Retainer Bolt
6	GM570700605	Valve Lifter Guide Retainer
7	GM570700705	Valve Lifter Guide
8	GM570700805	Valver Lifter
9	GM570700905	Engine Block
10	GM570701005	Engine Camshaft
**	800690	Reverse Rotation Camshaft
11	GM570701105	Camshaft Sprocket Loactor Pin
12	GM570701205	Camshaft Retainer
13	GM570701305	Camshaft Retainer Bolt
14	286066	Water Pump Gasket
15 **	830213	Water Pump
16	GM570701605	Water Pump Bolt
17	GM570701705	Engine Block Oil Gallery Plug
18	GM570701805	Camshaft Bearings
19	GM570701905	Crankshaft Position Sensor
20	GM570702005	Crankshaft Position Sensor Bolt
21	GM570702105	Front Groove Pin (Crankshaft Balancer)
22	GM570702205	Crankshaft Balancer Bolt
23	GM570702305	Crankshaft Balancer Bolt Washer
24	GM570702405	Crankshaft Balancer
25	GM570702505	Crankshaft Front Oil Seal
<b><u>PAGE 7</u></b>		
<b><u>ENGINE COMPONENTS (OIL)</u></b>		
1	GM570800105	Engine Block
2	GM570800205	Oil Pump Driveshaft
3	GM570800305	Oil Pump Driveshaft Retainer
4	GM570800405	Pin (Oil Pump Locator)
5	GM570800505	Oil Pump
**	371358	Oil Pump: Jet
6	GM570800605	Oil Pan Gasket
7 **	370027	Oil Pan
**	370055	Oil Pan: Aluminum Jet
8	GM570800805	Oil Pan Drain Plug Seal (O-ring)
9	GM570800905	Oil Pan Drain Plug
10	GM570801005	Oil Pan Nut
11	GM570801105	Oil Pan Bolt
12	GM570801205	Oil Pan Reinforcement
13	GM570801305	Crankshaft Oil Deflector Bolt
14	GM570801405	Crankshaft Oil Deflector Nut
15	GM570801505	Crankshaft Oil Deflector

**PAGE 8****ENGINE COMPONENTS (MAIN)**

1	GM570900105	Piston Ring Kit
2	GM570900205	Piston
3	GM570900305	Connecting Rod
4	GM570900405	Connecting Rod Bolt
5	GM570900505	Connecting Rod Bearings
6	GM570900605	Connecting Rod Cap
7	GM570900705	Hex Nut (Connecting Rod)
8	GM570900805	Engine Oil Pressure Guage Sensor Fitting
9	GM570900905	Engine Oil Pressure Guage Sensor
10	GM570901005	Engine Block
11	GM570901105	Expansion Cup Plug (Camshaft Rear Bearing Hole)
12	GM570901205	Dowel Straight Pin (Transmission Locator)
13	GM570901305	Engine Block Coolant Drain Hole Plug
14	GM570901405	Engine Block Core Hole Plug
15	GM570901505	Crankshaft Rear Oil Seal Housing Bolt
16	GM570901605	Crankshaft Rear Oil Seal
17	800400	Engine Flywheel (Jet Flexplate)
18	GM570901805	Flywheel Bolt
19	800133	Engine Flywheel (HD Forward Ring Gear)
**	800119	Engine Flywheel (HD Rear Ring Gear)
**	80094	Engine Flywheel 12 3/4" (HD Forward Ring Gear)
20	GM570902005	Crankshaft Rear Oil Seal Housing Nut
21	GM570902105	Crankshaft Rear Oil Seal Housing Stud
22	GM570902205	Crankshaft Rear Oil Seal Housing
23	GM570902305	Crankshaft Rear Oil Seal Housing Gasket
24	GM570902405	Crankshaft Rear Oil Seal Housing Stud
25	GM570902505	Crankshaft
26	GM570902605	Crankshaft Bearing (Rear Thrust Bearing)
27	GM570902705	Crankshaft Bearing Cap (Rear)
28	GM570902805	Crankshaft Bearing Cap
29	GM570902905	Crankshaft Bearing Cap Stud
30	GM570903005	Crankshaft Bearing Cap Bolt
31	GM570903105	Cranshaft Bearings
32	GM570903205	Crankshaft Sprocket
33	GM570903305	Crankshaft Position Sensor Reluctor Ring
34	GM570903405	Woodruff Keys (Crankshaft Balancer)
35	GM570903505	Crankshaft Bearing
36	GM570903605	Cranshshaft Bearing (Rear Thrust Bearing)
37	GM570903705	Spring Type S Pin (Flywheel Locator)
38	GM570903805	Spring Type S Pin (Crankshaft R Oil Seal Hsg Locator)
39	GM570903905	Oil Level Indicator Tube
**	373100	-SKI, JET, VR1
**	373115	-Parpac, MR2
**	373201	-Sportpac 4.3 - 8.2
40	GM570904005	Oil Level Indicator Tube Bolt
41	371663	Oil Level Indicator
42	GM570904205	Piston Pin

**PAGE 10****ENGINE COMPONENTS (HEADS)**

1	GM571100105	Valve Rocker Arm Cover Bolt
2	GM571100205	Valve Rocker Arm Cover Bolt Washer

3	GM571100305 823054	Valve Rocker Arm Cover Valve Rocker Arm Cover Chrome
4	GM571100405	Valve Rocker Arm Cover Gasket
5	GM571100505	Valve Stem Keys
6	GM571100605	Valve Spring Cap
7	GM571100705	Valve Spring
8	GM571100805	Valve Stem Oil Seal
9	GM571100905	Valve
10	GM571101005	Cylinder Head Bolt (Long)
11	GM571101105	Cylinder Head Bolt (Medium)
12	GM571101205	Cylinder Head Bolt (Short)
13	456601	Engine Coolant Temperature (ECT) Gauge Sensor
14	GM571101405	N/A
15	804155	Cylinder Head Gasket
16	GM571101605	Valve Pushrod
17	GM571101705	Valve Rocker Arm
18	GM571101805	Valve Rocker Arm Ball
19	GM571101905	Valve Rocker Arm Nut

**PAGE 11**

**INTAKE MANIFOLD AND COMPONENTS**

1	GM571200105	Fuel Rail
2	GM571200205	Pressure Regulator Vaccume Tube Assembly
3	GM571200305	Bosch Mapp and Mat Sensor
4	GM571200405	Upper Plenum
5	GM571200505	Upper Plenum Bracket
6 **	480359	HVS (High Voltage Switch)
7	GM571200705	HVS Bolt
8 **	482226	Clamp
9 **	298426	Distributor Gasket (seal)
10	GM571201005	Lower Plenum
11	231035	3/8" in. Plug
12	GM571201205	Water Outlet
13	GM571201305	Coil Pack Mounting Bracket
14	GM571201405	Coil Pack Mounting Bracket Bolt
15	GM571201505	Upper Plenum Mounting Bolt
16	GM571201605	TPS Mounting Bolt
17	GM571201705	TPS Washer
18	GM571201805	Throttle Body Gasket
19	462907	TPS (Throttle Position Sensor)
20	GM571202005	Throttle Body
21	GM571202105	Washer
22	GM571202205	GM Double Post Mount Screw
23	GM571202305	Fuel Pressure Regulator
24	GM571202405	Fuel Pressure Regulator Retainer Clip
25 **	445014	IAC (Idle Air Control)
26	GM571202605	IAC Washer
27	GM571202705	IAC Mounting Bolt
28	GM571202805	Fuel Injector
29	GM571202905	Fuel Injector Retainer Clip
	425404	Intake Manifold IAF Complete w/ Rails and Injector
	001204	Intake Manifold Bolt

\*\* Not Shown

**/// MARINE POWER<sup>®</sup>**

*The Force Behind The Fun.*

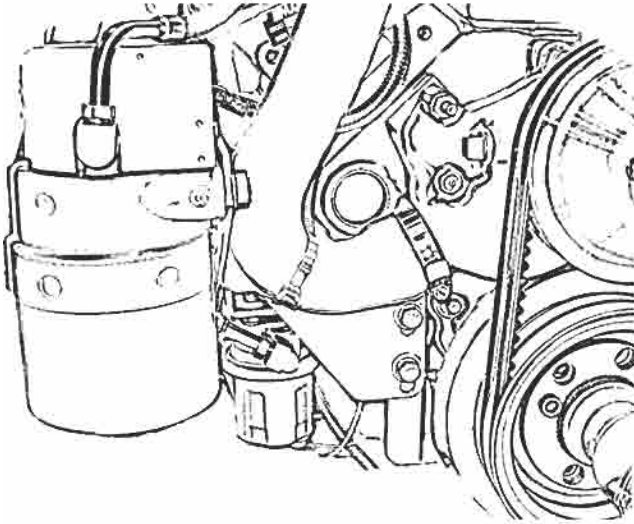


**/// MARINE POWER<sup>®</sup>**

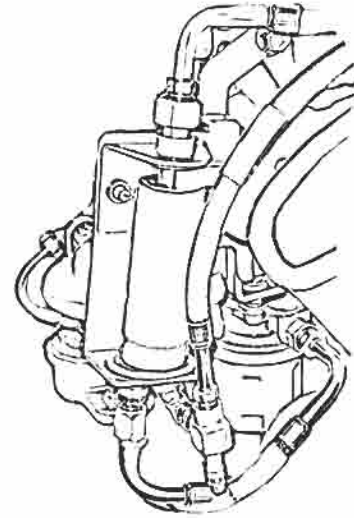
*The Force Behind The Fun.*

# Fuel System Configurations

## G Force Front Mount System



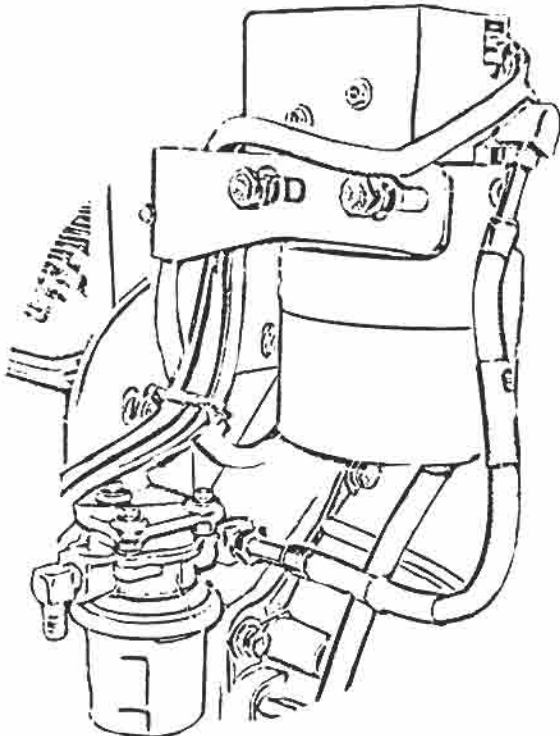
## EFI Return Fuel System



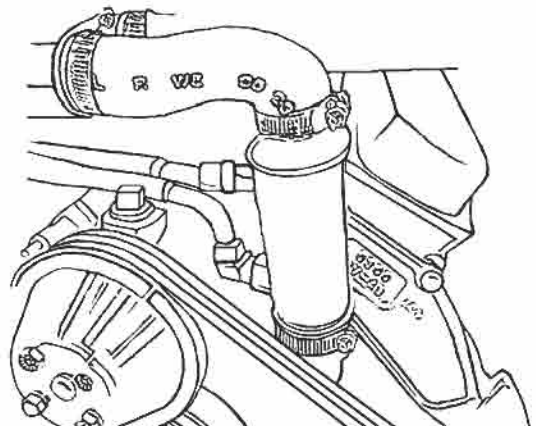
## Carbureted Fuel System



## G Force Rear Mount System

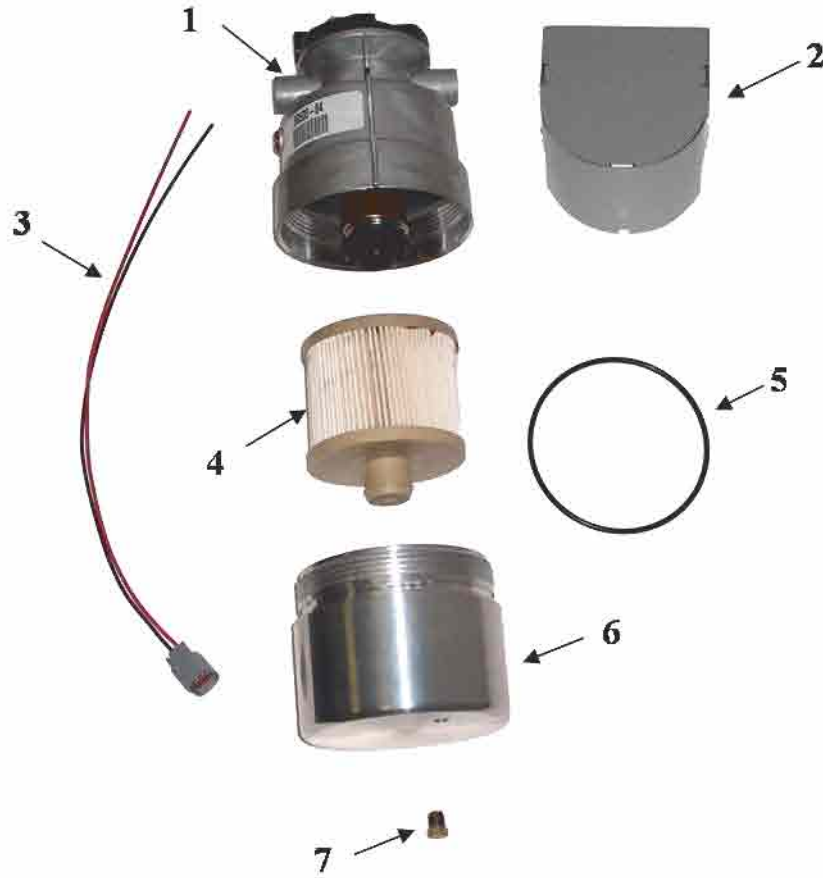


## Non-Return Fuel System w/ Cooler



# Fuel Pumps and Filters

## G-Force Fuel Pump (Return and Returnless Systems)



# Fuel Pumps and Filters

## G-Force Fuel Pump (Return and Returnless Systems)

<u>ITEM</u>	<u>PART NUMBER</u>	<u>DESCRIPTION</u>
1	438704	GForce Fuel Pump complete with Canister and Wireleads
2	442070	Cover: EFI Canister GForce
3	**not sold separately	Included in G-Force Fuel Pump
4	396007	Filter: G-Force Fuel Pump includes O-Ring
5	**not sold separately	Included with Filter
6	442006	Canister: 4.3-8.1 HP EFI Pump
7	230030	Plug: Brass Hex Head
	442056	End Plate: G-Force Canister Cooler (Not Shown)

<u>ITEM</u>	<u>PART NUMBER</u>	<u>DESCRIPTION</u>
8	441408	Base: Filter Fuel / Water Separator
9	438108	Fuel Pump: 3.0 / 8.2 Electric LP
10	395524	Filter: Fuel / Water Separator
11	438603	Fuel Pump: 3.0 / 8.2 EFI HP
12	439000	Basic Fuel Pump Kit Includes: LP Pump, Mounting Bracket, Hobbs Switch, Wire leads, and Fittings.
13	438033	Fuel Pump: 5.7 Mechanical (Not Shown)

## Fuel Lines



<u>ITEM</u>	<u>PART NUMBER</u>	<u>DESCRIPTION</u>
1	429224	Fuel Line: Rail-Return
2	429220	Fuel Line: 4.3 / 8.1 Return G-force
3	429224	Fuel Line: Rail - Return T - Q.C. (1)
4	429718	Fuel Line: HP PMP-Rail

## Additional Fuel Lines

<u>ITEM</u>	<u>PART NUMBER</u>	<u>DESCRIPTION</u>
1	429214	Fuel Line: 6.0 Rail Return
2	429218	Fuel Line: G-Force Cooler-Canister
3	429220	Fuel Line: 4.3 - 8.1 Return G-Force
4	429224	Fuel Line: Rail - Return T - Q.C. (1)
5	429415	Fuel Line: 3.0 Sep-PMP, 7.4 Jet CB-P
6	429508	Fuel Line: 5.7 LP PMP to HP PH PMP
7	429522	Fuel Line: 5.7 P-CB OEM22" Flex
8	429531	Fuel Line: 4.3 Carb PMP to CARB 31"
9	429708	Fuel Line: 6.0 Rail Feed
10	429718	Fuel Line: HP PMP-Rail Q.C. (1)
11	429905	Fuel Line: 5.7 / 8.2 Sep - LP Pump
12	429906	Fuel Line: LP PMP - HP PMP (1)
13	429907	Fuel Line: PMP - PMP w/ Pwr Str (1)

# Carburetors



1



2



3



4



5



6

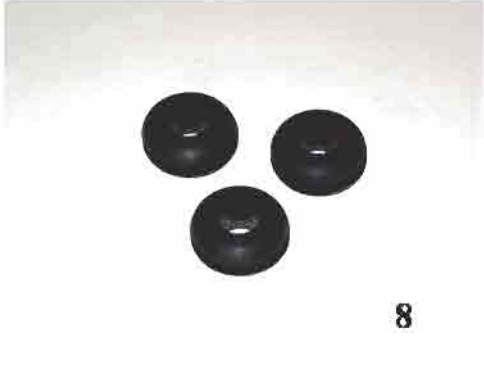
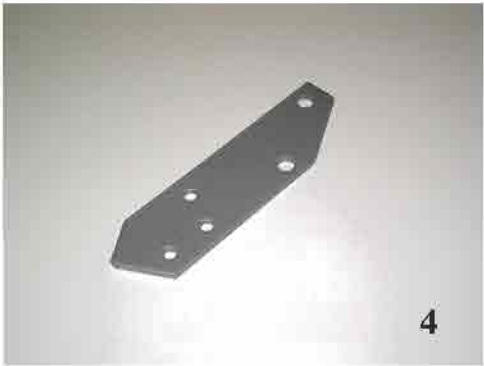
<u>ITEM</u>	<u>PART NUMBER</u>	<u>DESCRIPTION</u>	
1	426585	Carburetor: V8 Holley Rochester Replacement (Spread Bore)	
2	426574	Carburetor: 600cfm OEM type 5.7	
3	441054	Wedge Plate: Carb Rochester (Spread Bore)	
4	441030	Wedge Plate: Carb Holley / Edel (Square Bore)	
5	429522	Fuel Line: LP Pump to OEM Carb.	
6	427206	Throttle Body: 5.7L	
7	426052	Throttle Body: MPI 5.7 / 6.0 / 8.1	(Not Shown)
8	284959	Gasket: Carburetor Holley 1/8"	(Not Shown)
9	285103	Gasket: Carburetor Quadra jet	(Not Shown)
10	426723	Carburetor: 5.7L 600cfm Universal Type	(Not Shown)
11	441220	Adapter: 4.3 4V spread to square	(Not Shown)

# Intake Manifold (Carb)



<u>ITEM</u>	<u>PART NUMBER</u>	<u>DESCRIPTION</u>
1	425062	Intake Manifold: Aluminum w/ Brass Crossover
2	425050	Intake Manifold: Aluminum w/o Brass Crossover
3	425074	Intake Manifold: Iron Low Rise 5.7V
	425048	Intake Manifold: Iron Factory 5.7 Pre-Vortec
4	287804	Gasket Set: Intake Manifold 5.7 Vortec (includes 2)

# Fuel Brackets & Accessories



# Fuel Brackets & Accessories

<u>ITEM</u>	<u>PART NUMBER</u>	<u>DESCRIPTION</u>
1	302276	Bracket: Fuel Pump 4.3 / 8.1
2	302365	Bracket: G-force fuel Pump 5.7 / 6.0
3	302101	Bracket: Fuel / Water Separator
4	302303	Bracket: G-Force Fuel pump Front Mt.
5	N/A	
6	445052	Valve: PCV 90deg. SB / BB
7	806200	Grommet: Valve Cover 350
8	N/A	

## Additional Brackets

<u>ITEM</u>	<u>PART NUMBER</u>	<u>DESCRIPTION</u>
1	318116	Bracket: Elec Comp w/ext leg
2	318217	Bracket: 5.7 Comp PFI NEW
3	325680	Bracket: Throttle Body TBI OEM (100)
4	326036	Bracket: Shift Merc-MP2K Exhaust
5	328078	Bracket: Mount Spacer Gear 45D
6	302252	Bracket: HP Fuel Pump L shape

# Weather Covers & Flame Arrestors



1



2



3



4

<u>ITEM</u>	<u>PART NUMBER</u>	<u>DESCRIPTION</u>	
1	432207	Weather Cover: Plastic MPI 5.7 / 6.0	
2	432120	Weather Cover: Plastic Carb. 5.7	
	432156	Weather Cover: Alum MPI (IAF) 5.7	(Not Shown)
3	427523	Flame Arrestor: Carb 2"	
4	427511	Flame Arrestor: MPI (IAF) 4.3 / 5.7	
5	004856	Coupling: Flame Arrestor Bolts IAF 4.3-5.7	(Not Shown)
6	004604	Stud: DBL End 6 1/4" x 7/16"	(Not Shown)
7	427547	Flame Arrestor: 4.3 - 8.2 TBI 8"	(Not Shown)

**MARINEPOWER**®

*The Force Behind The Fun.*



**MARINEPOWER**®

*The Force Behind The Fun.*

# Heat Exchangers

1



<u>ITEM</u>	<u>PART NUMBER</u>	<u>DESCRIPTION</u>
1	511022	Heat Exchanger: Jetpac FT MT half system 4.3 - 5.7

2



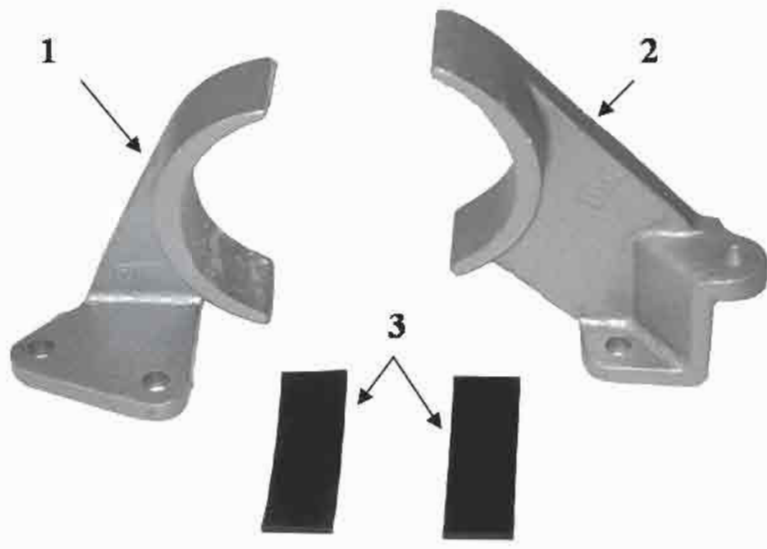
<u>ITEM</u>	<u>PART NUMBER</u>	<u>DESCRIPTION</u>
2	511144	Heat Exchanger: Sportpac FT MT 4.3 / 5.7
	511155	Heat Exchanger: Jetpac FT MT full system 4.3 / 5.7

3

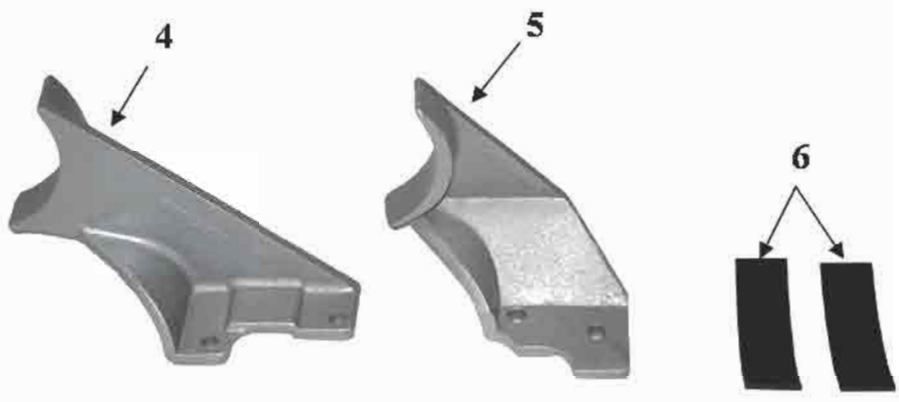


<u>ITEM</u>	<u>PART NUMBER</u>	<u>DESCRIPTION</u>
3	511133	Heat Exchanger: Sportpac Rear MT full system 4.3 / 5.7

# Heat Exchanger Brackets

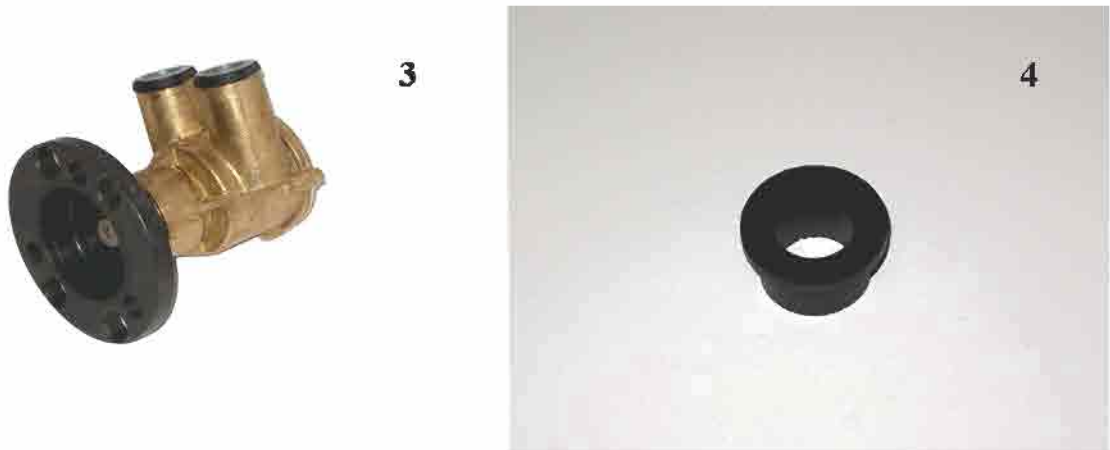


<u>ITEM</u>	<u>PART NUMBER</u>	<u>DESCRIPTION</u>
1	314120	Bracket: Heat Exchanger 5.7 Front Mt. LH
2	314118	Bracket: Heat Exchanger Front Mt. RH 5.7
3	284000	PAD: FWS Tank



<u>ITEM</u>	<u>PART NUMBER</u>	<u>DESCRIPTION</u>
4	313168	Bracket: Heat Exchanger 5.7 Rear Mt. RH
5	313156	Bracket: Heat Exchanger Rear Mt. LH 5.7
6	289000	PAD: FWS Tank

# Water Pumps



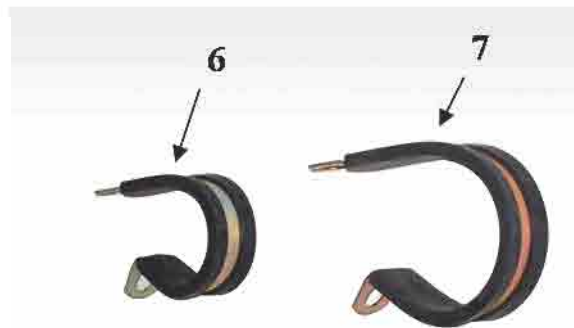
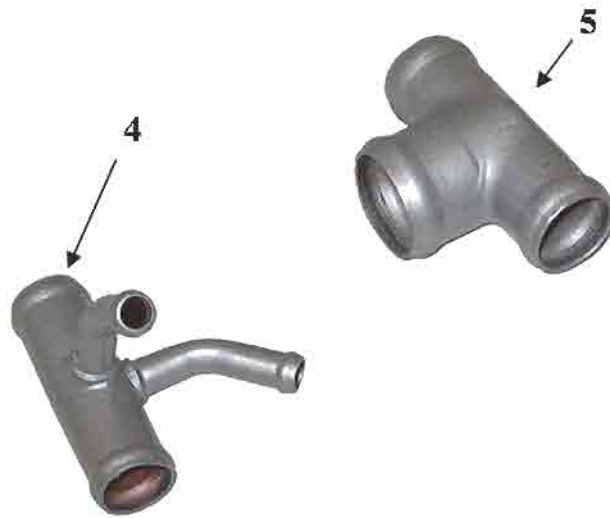
# Pulleys



# Water Pumps & Pulleys

<u>ITEM</u>	<u>PART NUMBER</u>	<u>DESCRIPTION</u>
1	830213	Circ. Pump 5.7 Engine
2	286066	Gasket: Circ. Pump SB
3 a	0566-000P8	Discontinued Pump: Seawater pump crankdrive 4.3 / 5.7 (Jabsco)
b	524505	Pump: Seawater pump crankdrive 4.3 / 5.7 (Not Shown)
4	527018	Bushing: Rubber Seawater Pump
5	514681	Pulley: Crankshaft steel 2V 3.0 - 8.2
	514605	Pulley: Crankshaft Aluminum 2V 3.0 / 8.2 (Not Shown)
6	514504	Pulley: Circ. Pump 2-GR 181 / SB / BB
7	001278	Bolt: Crankshaft Balancer (Not Shown)
8	002028	Washer: Crankshaft Balancer Bolt (Not Shown)
9	524505	Seawater Pump Crank Drive 4.3 / 5.7 (Not Shown)
10	524606	Pump: Seawater S/M Merc SB/BB (Not Shown)
11	527246	Impeller: Seawater Pump F6B (Not Shown)
12	527272	Impeller: Seawater Pump Jabsco (Not Shown)

# Coolers & Couplers



## Coolers & Couplers

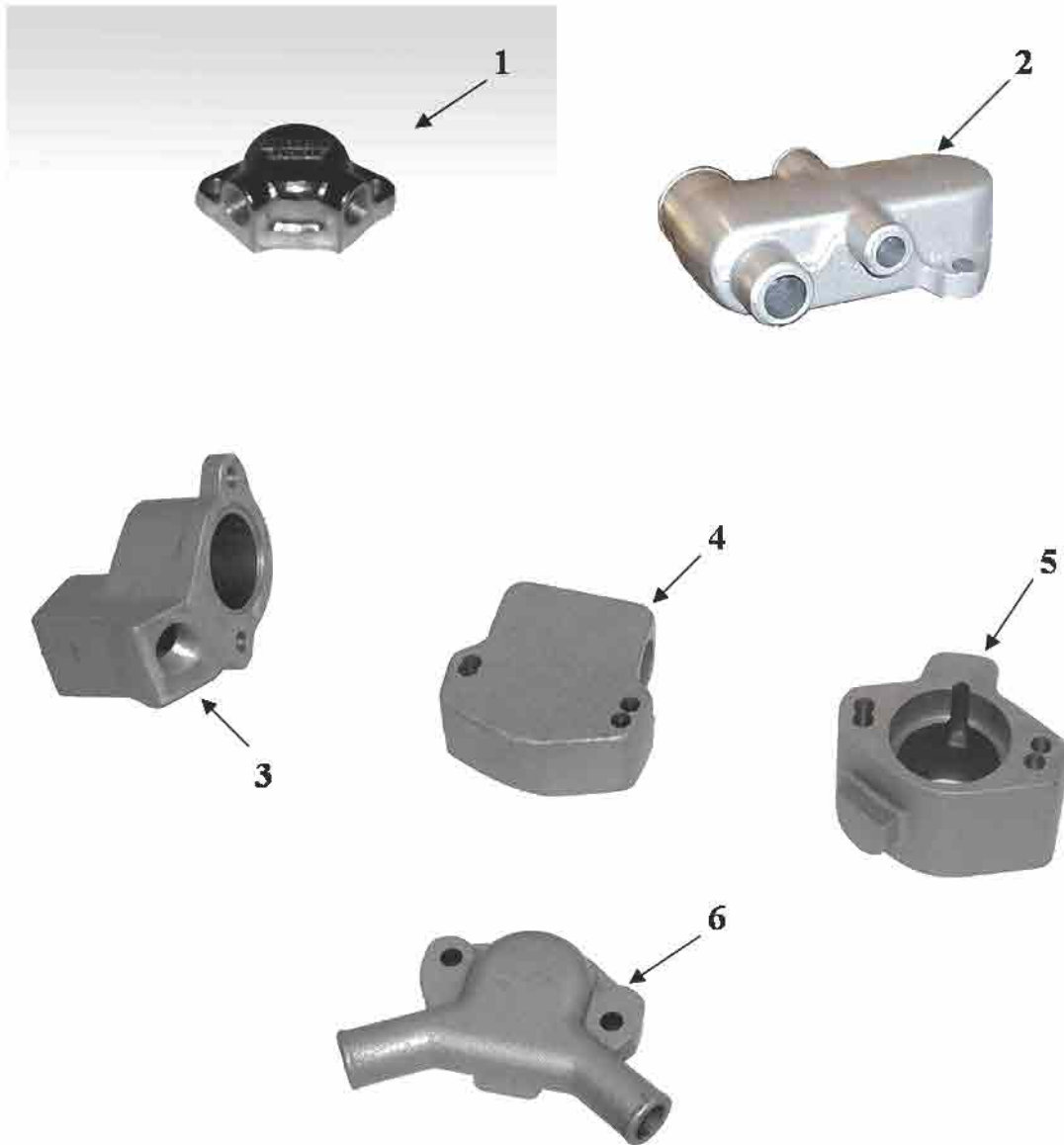
<u>ITEM</u>	<u>PART NUMBER</u>	<u>DESCRIPTION</u>
1	513603	Cooler: OIL 5 x 1 1/4
2	513451	Cooler: Fuel 5 x 1 1/4
3	513526	Cooler: Dual 5 x 9 5000 Gear
4	553316	Tube assy. Exhaust Manifold Drain NW Jet
5	553354	Tube assy. TEE RM 4.3 / 8.2
6	007244	Clamp: Utility #24 rubber
7	007321	Clamp: Utility #32 rubber

## Cooling Accessories \*\*

<u>ITEM</u>	<u>PART NUMBER</u>	<u>DESCRIPTION</u>
1	512029	** Cap: FWS Tank 7psi Dual Seal
2	512106	** Housing: 8.1 Thermo HSG-TK Spprt
3	514201	** Endplate: 4" Heat Exchanger
4	515645	** Spacer: Thermostat RWC 4.3 / 8.2
5	280153	** Gasket: Tstat ENG 4.3 / 8.2
6	282056	** Gasket: Heat Exchanger END PLATE
7	007028	** Boot: Rubber Large
8	531207	** Anode: Zinc Heat Exchanger
9	531245	** Anode: Assy Zinc w/plug AL Merc Manifold
10	553304	** Tube: Copper RW Jet Inlet NW

\*\* NOT SHOWN

# Thermostats Housings



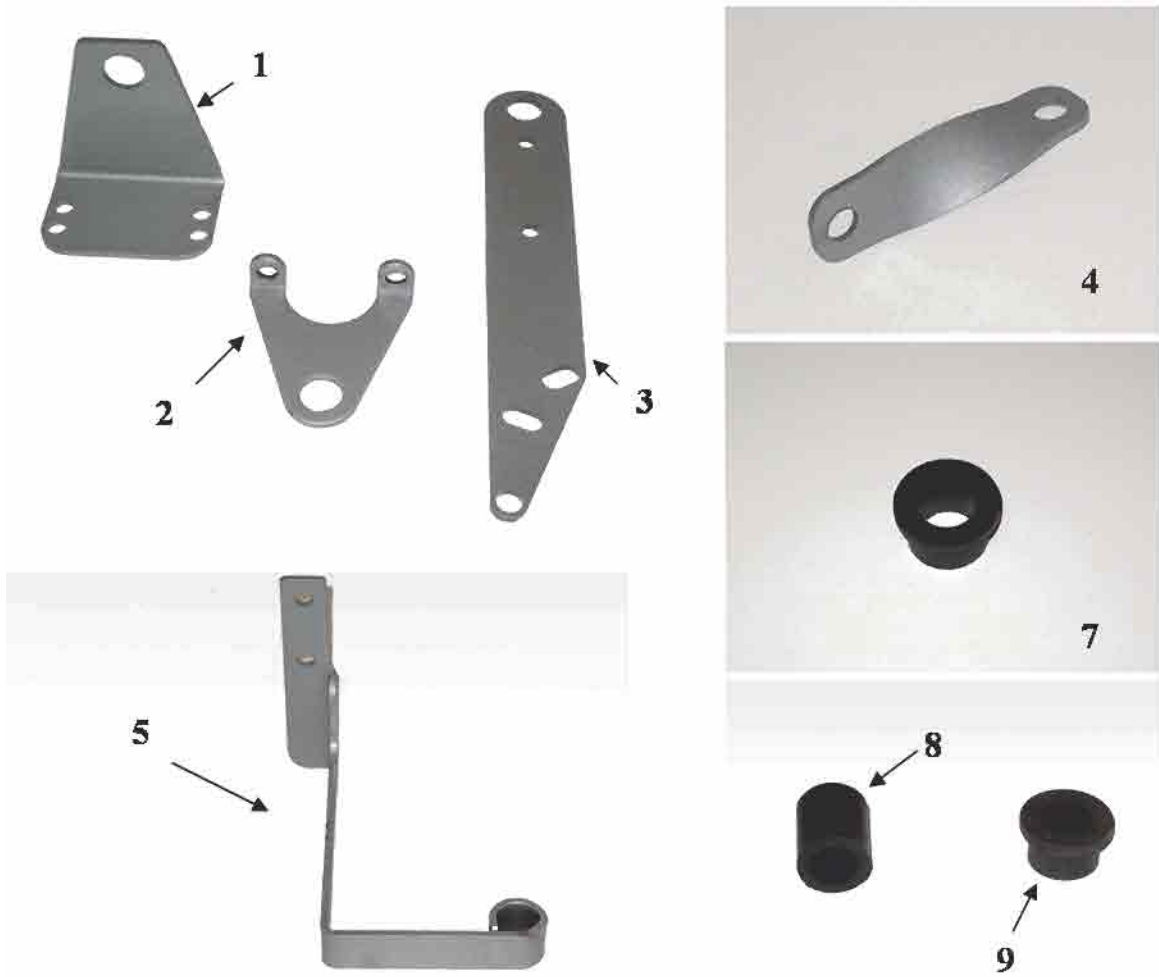
<u>ITEM</u>	<u>PART NUMBER</u>	<u>DESCRIPTION</u>	
1	540484	Housing: Water Outlet Jet SB / BB	
2	542034	Housing: Thermo Merc RW 4.3 / 8.2	
3	540701	Housing: SB T-stat Tank Mount FW	
4	540662	Housing: SB / BB Water Outlet FWS Front MT 4.3 / 8.2	
5	540713	Housing: Thermostat FWS Rear MT 4.3 / 8.2	
6	540665	Housing: Water Outlet FWS Rear MT 4.3 / 8.2	
	540600	Housing: Thermostat FRT MT half System	<b>Not Shown</b>
	540460	Housing: Thermostat RW Jet	<b>Not Shown</b>

# Thermostats & Bottle



<u>ITEM</u>	<u>PART NUMBER</u>	<u>DESCRIPTION</u>
1	319738	Bracket: Recovery Reservoir Mount
2	527070	Reservoir: Recovery FWS w/holder
3	540458	Plate: Inlet Water Jet RW 5.7
4	515400	Thermostat: RWC 140 4.3 / 8.2
5	515411	Thermostat: FWS 160 Tank Mt HSG
6	515621	Spacer: Thermostat FWS Rear Mount
7	515645	Spacer: Thermostat RWC 4.3 / 8.2

# Lift Hooks & Brackets



<u>ITEM</u>	<u>PART NUMBER</u>	<u>DESCRIPTION</u>	
1	316578	Bracket: 5.7 Lift front	
2	316605	Bracket: 5.7 lift RW	
3	N/A	Bracket: Lift	
a	316693	Bracket: Lift Rear Short	
b	316679	Bracket: lift Rear Long	
4	294037	Bracket: 4" Cooler Twist	
5	308711	Bracket: 5.7 Seawater Pump	
	308759	Bracket: Seawater Pump Side Mount 5.7	(Not Shown)
	308735	Bracket: Power Steering + Seawater Pump 5.7	(Not Shown)
6	294051	Bracket: Cooler Oil straight 6"	(Not Shown)
7	527018	Bushing: Rubber Seawater Pump	
8	N/A		
9	433502	Grommet: High Pressure Fuel Pump Mount	
	312936	Bracket: Power Steering Mount 5.7	(Not Shown)

# Hoses

1



2



3



4



5



6



7



8



# Hoses

<u>ITEM</u>	<u>PART NUMBER</u>	<u>DESCRIPTION</u>	
1	273906	Hose: Circ. Pump to FW tank Rear Mt. 5.7	
2	273603	Hose: Manifold to T-stat HSG Merc STB side	
3	273627	Hose: Manifold to T-stat HSG Merc Port side	
4	273401	Hose: 4.3 / 8.2 Seawater pump to Thermostat HSG 4.3 / 8.2	
5	273007	Hose: 4.3 / 8.2 Seawater pump to Heat Exchanger	
6	274504	Hose: Riser to Tank FWS EL 4.3 / 8.2	
7	274403	Hose: Universal w/6" leg	
8	274047	Hose: Circ. Pump SB / BB / FWC Brass	
9	270037	3/8" Heater Hose	NOT SHOWN
10	270063	3/4" Heater Hose	NOT SHOWN
11	270051	5/8" Heater Hose	NOT SHOWN
12	270087	1" Heater Hose	NOT SHOWN
13	271089	1" Heater Hose (w/ wire)	NOT SHOWN
14	271104	1-1/4" Heater Hose (w/ wire)	NOT SHOWN
15	280007	Hose: Crankcase vent to Flame Arrestor	NOT SHOWN
16	279009	Hose: Exhaust Bellows 4"	NOT SHOWN
17	274643	Hose: Universal EL SB/BB	NOT SHOWN

# Hoses Clamps



<u>ITEM</u>	<u>PART NUMBER</u>	<u>DESCRIPTION</u>
1	008020	Hose Clamp: Overflow Reservoir
2	008082	Clamp: #8 SS
3	008121	Clamp: #12 SS
4	008169	Clamp: #16 SS
5	008208	Clamp: #20 SS
6	008284	Clamp: #28 SS
7	008640	Clamp: #64 HD SS
8	008727	Clamp: #72 SS
9	008006	Hose Clamp: End Cover

**/// MARINE POWER<sup>®</sup>**

*The Force Behind The Fun.*

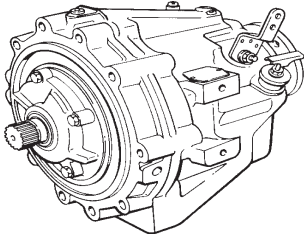


**/// MARINE POWER<sup>®</sup>**

*The Force Behind The Fun.*

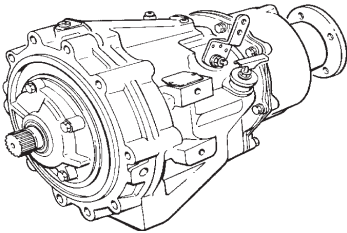
# Drives

## VELVET DRIVE DIRECT DRIVE



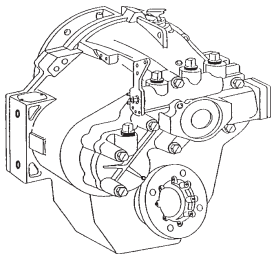
**750004**  
GEAR: 71C 1:1  
**751002**  
GEAR: 72C 1:1

## VELVET DRIVE 72C SERIES



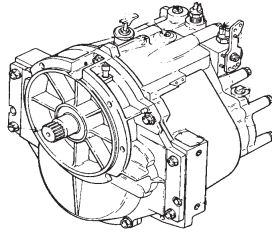
**751004**  
GEAR: 72C 1.5:1  
**751106**  
GEAR: 72C 1.88:1  
**751108**  
GEAR: 72C 2.1:1  
**751110**  
GEAR: 72C 2.5:1  
**751112**  
GEAR: 72C 2.9:1

## VELVET DRIVE 5000V V-DRIVE SERIES



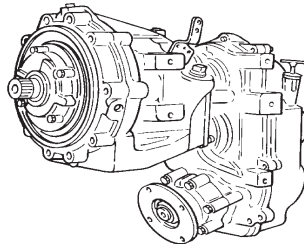
**757125**  
GEAR: 5000V 1.25:1  
**757150**  
GEAR: 5000V 1.5:1  
**757200**  
GEAR: 5000V 2.0:1  
**757250**  
GEAR: 5000V 2.5:1

## VELVET DRIVE 5000C SERIES



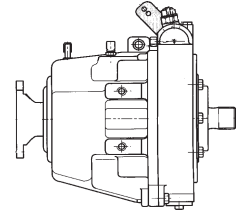
**756100**  
GEAR: 5000C 1:1  
**756125**  
GEAR: 5000C 1.25:1  
**756150**  
GEAR: 5000C 1.5:1  
**756200**  
GEAR: 5000C 2.0:1  
**756250**  
GEAR: 5000C 2.5:1  
**756280**  
GEAR: 5000C 2.8:1

## VELVET DRIVE 72C V-DRIVE SERIES



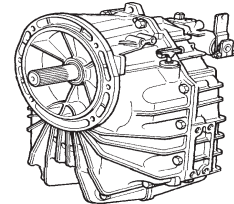
**758120**  
GEAR: 72C V-DRIVE 1.2:1  
*GEAR DRIVEN*  
**758121**  
GEAR: 72C V-DRIVE 1.2:1  
*CHAIN DRIVEN*  
**758151**  
GEAR: 72C V-DRIVE 1.5:1  
*CHAIN DRIVEN*  
**758150**  
GEAR: 72C V-DRIVE 1.5:1  
*GEAR DRIVEN*  
**758200**  
GEAR: 72C V-DRIVE 1.9:1  
*GEAR DRIVEN*  
**758201**  
GEAR: 72C V-DRIVE 1.9:1  
*CHAIN DRIVEN*  
**758251**  
GEAR: 72C V-DRIVE 2.5:1  
*CHAIN DRIVEN*  
**758250**  
GEAR: 72C V-DRIVE 2.5:1  
*GEAR DRIVEN*

## HURTH DIRECT DRIVE



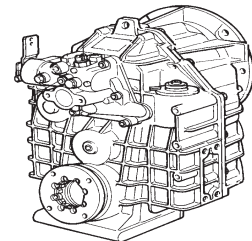
**752100**  
GEAR: 450D 1:1

## HURTH



**752125**  
GEAR: 450A 1.25:1  
**752150**  
GEAR: 450A 1.5:1  
**752200**  
GEAR: 450A 2.0:1

## HURTH V-DRIVE



**754130**  
GEAR: 630V 1.3:1  
**754160**  
GEAR: 630V 1.6:1  
**755200**  
GEAR: 630V 2.0:1  
**755250**  
GEAR: 630V 2.5:1

**NOTE:**  
**SOME TRANSMISSIONS  
LISTED MAY NOT BE AN  
IN-STOCK ITEM.  
LEAD TIMES MAY  
APPLY TO CERTAIN  
TRANSMISSIONS.  
CALL FOR  
AVAILABILITY.**

## Bell housings



## Fly Wheels



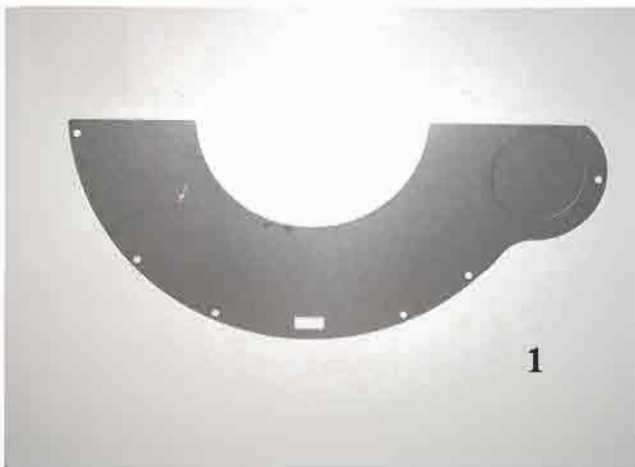
## Bell housings

<u>ITEM</u>	<u>PART NUMBER</u>	<u>DESCRIPTION</u>
1	703187	Bellhousing: 901M Jet Long
2	706408	Plate: Access Cal Jet Bellhousing
3	703199	Bellhousing: Jet Short
4	703111A	Bellhousing: Borg Warner Style
	703125	Bellhousing: BW Mod for Jet (Not Shown)
5	703353	Ring Clamp: Bellhousing JET
	703202	Bellhousing Cone Adapter (Not Shown)

## Flywheels

<u>ITEM</u>	<u>PART NUMBER</u>	<u>DESCRIPTION</u>
1	800094	Engine Flywheel 12 3/4" (HD Forward Ring Gear)
2	800119	Engine Flywheel (HD Rear Ring Gear)
3	800133	Engine Flywheel (HD Forward Ring Gear)
4	800400	Engine Flywheel (Jet Flexplate)

## Dust Covers



<u>ITEM</u>	<u>PART NUMBER</u>	<u>DESCRIPTION</u>
1	706260	Cover: Dust Long JET Bellhousing
2	706222	Cover: Dust BW Bellhousing
	706329	Cover: Top Mt. Starter Bellhousing (Not Shown)

# Starters



1



2



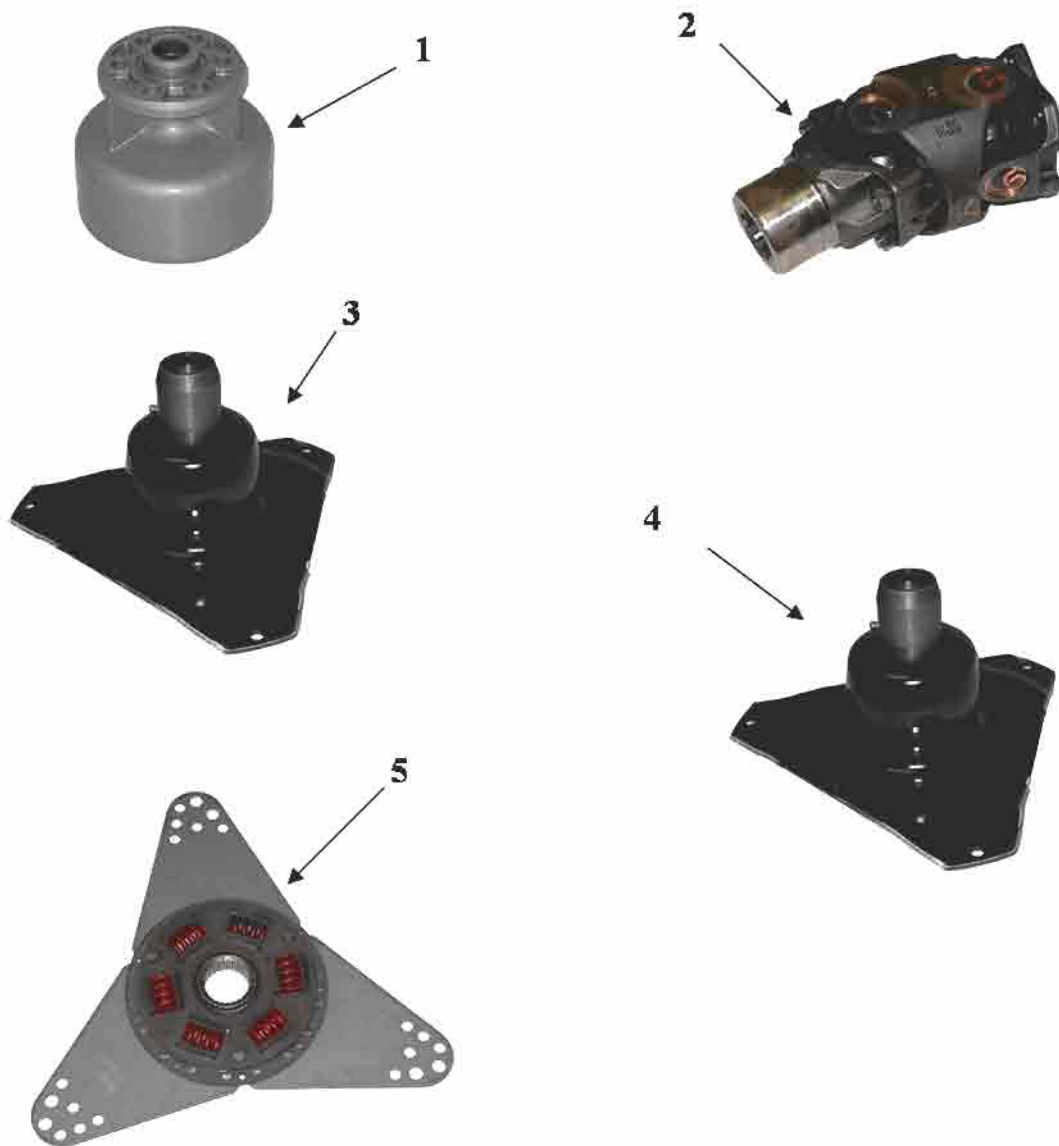
3



4

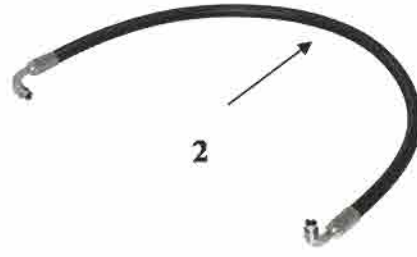
<u>ITEM</u>	<u>PART NUMBER</u>	<u>DESCRIPTION</u>
1	475447	Starter Bottom Mount Normal Rotation 14"
2	475106	Starter Top Mount Normal Rotation 14"
3	475322	Starter Bottom Mount 12-3/4
4	475219	Starter Top Mount Opposite Rotation 14"
5	486008	Solenoid: Starter Soleniod 14 T/BM (NOT SHOWN)

# Couplers / Dampeners

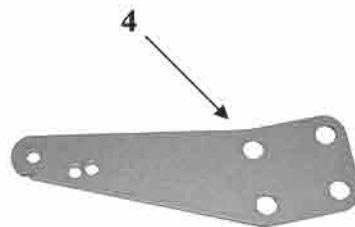
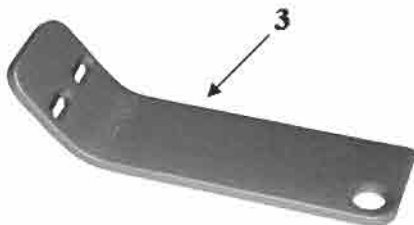
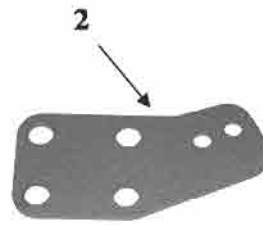


<u>ITEM</u>	<u>PART NUMBER</u>	<u>DESCRIPTION</u>	
1	701157	Coupler: Flexplate 14" VR2	
2 a	700345	JAF/JMF Drive Line 7"	
b	700218	JAF/JMF Drive Line 5 1/2"	(Not Shown)
	700369	JAF/ JMF Drive Line 9.5"	(Not Shown)
3	701121	Coupler: Flexplate 14"	
4	701107	Coupler: Flexplate 12-3/4"	
	700573	Adapter: Jet Drive Line Flex Plate	(Not Shown)
	700585	Adapter: Jet Drive Line HD Flywheel	(Not Shown)
5	702159	Dampener Plate	

## Gear Accessories



## Gear Brackets



## Gear Accessories

<u>ITEM</u>	<u>PART NUMBER</u>	<u>DESCRIPTION</u>
1	457300	Switch: Gear Alarm Hi-temp
2	<b>See Below</b>	Oil Lines
3	760012	Switch: Neutral Safety
4	223052	Fitting: 3/8 x 1/2 INF STR
5	513526	Cooler: Dual 5 x 9 Oil / Gear

## Gear Brackets

<u>ITEM</u>	<u>PART NUMBER</u>	<u>DESCRIPTION</u>
1	327115	Bracket: Anchor 71 / 72 Rear Mt.
2	327103	Bracket: Anchor 45DD Rear Mt.
3	327127	Bracket: Anchor 71 / 72 / 2F FRT Mt.
4	327106	Bracket: Anchor 5000 FRT Mt.

## Oil Lines

<u>ITEM</u>	<u>PART NUMBER</u>	<u>DESCRIPTION</u>
	387058	Oil Line: 1/2" x 5"
	387109	Oil Line: 1/2" x 10" 90 - 90
	387197	Oil Line: 1/2" x 19" 90 - 90
	387301	Oil Line: 1/2" x 30" 90 - 90
	387375	Oil Line: 1/2" x 32" 90 - 90
	387426	Oil Line: 1/2" x 42" 90 - 90
	387452	Oil Line: 1/2" x 45" 90 - 90
	387515	Oil Line: 1/2" x 52" 90 - 90

**||| MARINE POWER<sup>®</sup>**

*The Force Behind The Fun.*

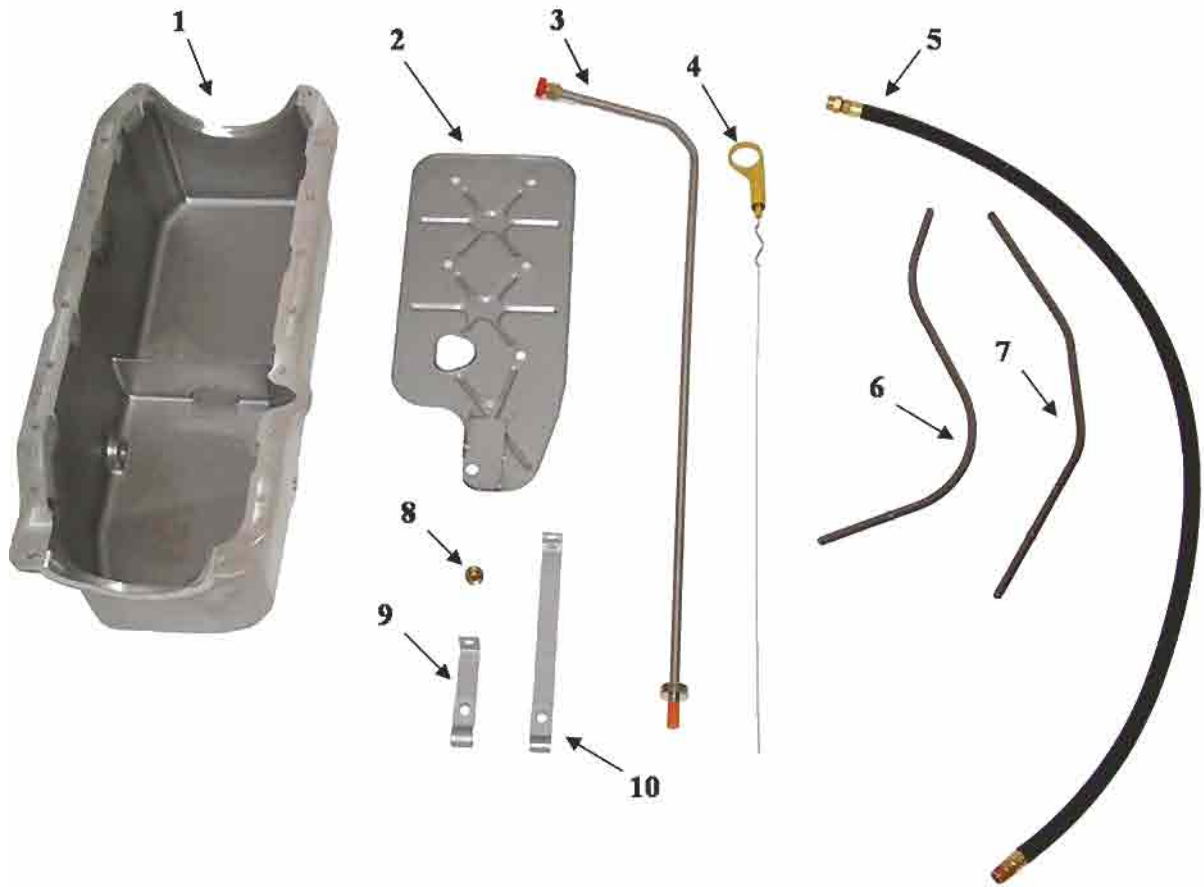
**Oil Pan**



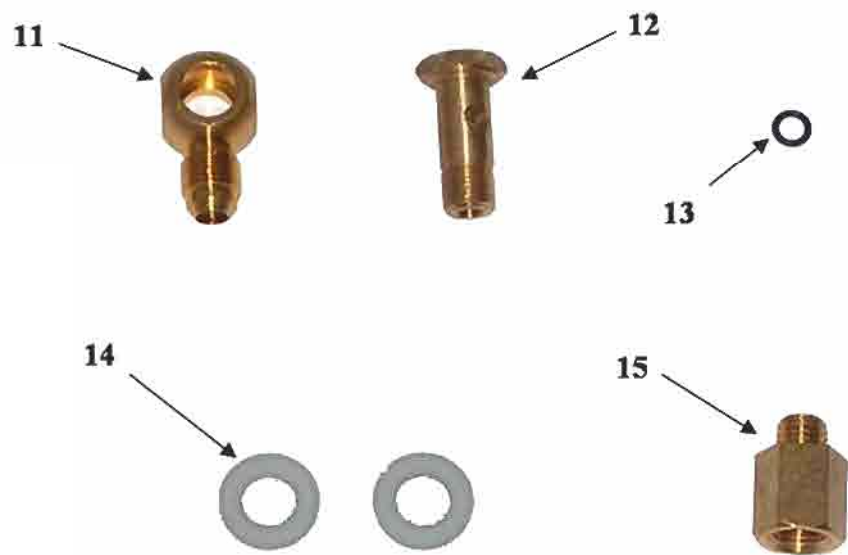
**||| MARINE POWER<sup>®</sup>**

*The Force Behind The Fun.*

## OIL PAN



## Banjo Fitting



# OIL PAN & BANJO FITTING

<u>ITEM</u>	<u>PART NUMBER</u>	<u>DESCRIPTION</u>
1	377027	Oil Pan: Plastisol 6 Qts.
2	37055	Oil Pan: Aluminum Jet 7 Qts.
3	373201	Dipstick Tube: Sportpac
4	371663	Dipstick
5	386804	E-Z Oil Drain
6	373115	Dipstick Tube: Enpac
7	373100	Dipstick Tube: Jetpac SKI VR
8	N/A	Plug:
9	294102	Bracket: Dipstick Tube Sportpac
10	N/A	<b>(Discontinued)</b> Bracket: Dipstick Tube
11	240060	Fitting: Banjo Body
12	001406	Bolt: Banjo (metric)
13	284923	O-ring dipstick tube
14	280052	Gasket: 1/2" Nylon E-Z Oil Drain
15	240022	Fitting: E-Z oil drain 90 deg. (metric)
16	240058	Fitting: E-Z oil drain straight (metric) <span style="float: right;"><b>(Not Shown)</b></span>

**/// MARINEPOWER®**

*The Force Behind The Fun.*



**/// MARINEPOWER®**

*The Force Behind The Fun.*

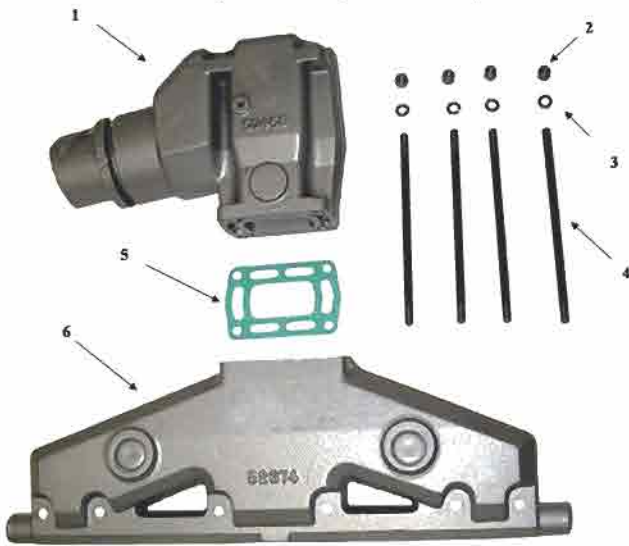
### MP2K PERFORMANCE



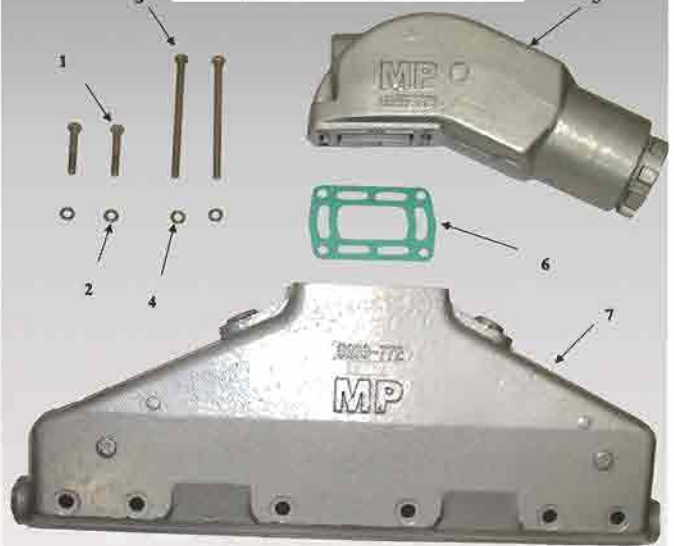
### MR (Mercury Replacement)



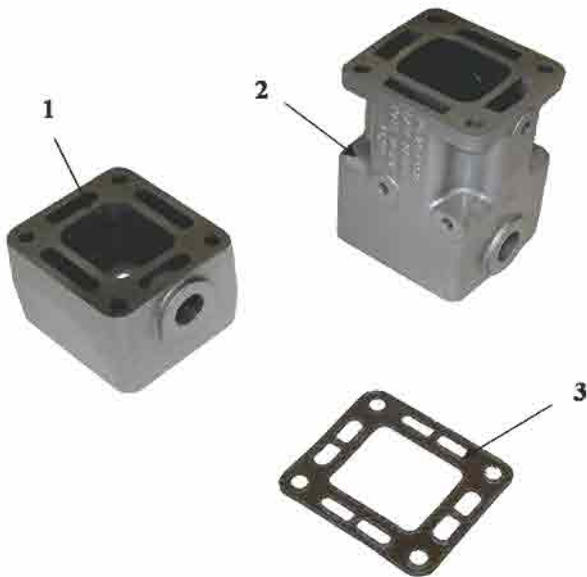
### VR2 (Volvo Replacement)



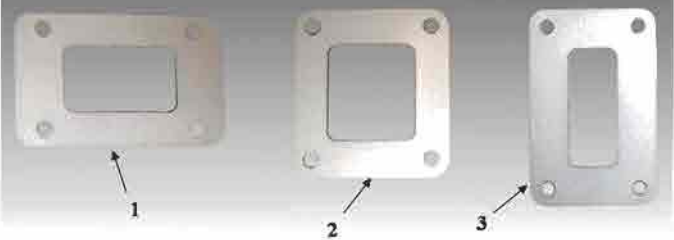
### VR1 (Volvo Replacement)



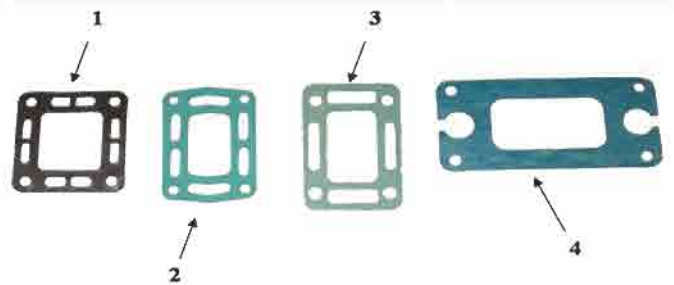
### Exhaust Risers / Spacers



### Block Off Plates



### Riser Gaskets



# Exhaust System

## MP2K

<u>ITEM</u>	<u>PART NUMBER</u>	<u>DESCRIPTION</u>
1	611002	Riser: Exhaust AL MP2K RW
	611000	Riser: Exhaust AL MP2K FW
2	N/A	
3	N/A	3/8" Lock Washer
4	N/A	3/8-16 x 1 1/2" Bolt
5	282917	O-ring: Riser Exhaust AL MP2K RW
6	611555	** Manifold: Exhaust AL MP2K FW
	611556	** Manifold: Exhaust AL MP2K RW
		**for Polished MP2K Risers and Manifolds add AP to the part number.
7	231061	Plug: 3/4" Brass HEX socket
	612588	MP2K Kit

## MR (Mercury Replacement)

<u>ITEM</u>	<u>PART NUMBER</u>	<u>DESCRIPTION</u>
1	600000	Riser: Exhaust Iron Merc. 4" 4.3-8.2
	601307	Riser: Exhaust AL Merc. 4" 4.3-8.2
2	N/A	3/8" Lock Washer
3	N/A	3/8-16 x 5 3/4" Bolt
4	283109	Gasket: Riser Exhaust Merc. RW graphite
	283135	Gasket: Riser Exhaust Merc. FW graphite
5	600555	Manifold: Exhaust Iron Merc. 5.7
	613136	Manifold: Exhaust AL Merc. 5.7
	612552	Kit (Aluminum)
	601167	Riser: Exhaust Iron MP Barr 3" 5.7
	613287	Manifold: Exhaust Iron MP Barr 5.7

## VR2 (Volvo Replacement)

<u>ITEM</u>	<u>PART NUMBER</u>	<u>DESCRIPTION</u>
1	601484	Riser: Exhaust Iron Volvo VR2 (sx)
2	N/A	3/8" NF Lock Nut
3	N/A	3/8" Lock Washer
4	N/A	3/8" NF- - 3/8" x 9 1/2" NC Stud
5	283351	Gasket: Riser Exhaust Volvo VR2 RW 5.7
6	613605	Manifold: Exhaust Iron Volvo VR2 (sx) 5.7

# Exhaust System

## VR1 (Volvo Replacement)

<u>ITEM</u>	<u>PART NUMBER</u>	<u>DESCRIPTION</u>
1	N/A	3/8-16 x 1 1/2" Bolt
2	N/A	3/8" Lock Washer
3	N/A	3/8-16 x 5 3/4" Bolt
4	N/A	3/8" Lock Washer
5	601408	Riser: Exhaust Iron Volvo VR1
6	283301	Gasket: Riser Exhaust VR1 RW
7	613504	Manifold: Exhaust Iron Volvo VR1

## Exhaust Risers

<u>ITEM</u>	<u>PART NUMBER</u>	<u>DESCRIPTION</u>
1	612011	Spacer: Iron Riser Exhaust merc 3"
2	612022	Spacer: Iron Riser Exhaust merc 6"
3	293109	Gasket:: Merc riser RW-graphite
4	612000	Spacer: Riser Exhaust Iron MP Barr 3" (Not Shown)
5	612045	Spacer: Riser Exhaust AL MP2K 3" (Not Shown)
6	612033	Riser Spacer: MP 3" (Old Style) (Not Shown)

## Block Off Plates

<u>ITEM</u>	<u>PART NUMBER</u>	<u>DESCRIPTION</u>
1	283654	Plate: Riser Exhaust Block-Off MP Barr
2	283678	Plate: Riser Exhaust Block-Off Merc
3	283705	Plate: Riser Exhaust Block-Off VR1

## Riser Gaskets

<u>ITEM</u>	<u>PART NUMBER</u>	<u>DESCRIPTION</u>
1	293109	Gasket: Merc Riser RW-graphite
2	283351	Gasket: Riser Exhaust Volvo VR2 RW 5.7
3	283072	Gasket: Riser EXH MP Raw Barr
4	282929	Gasket: Riser MP2K
5	283135	Gasket: Riser Exhaust Merc. FW graphite (Not Shown)
6	283109	Gasket: Riser Exhaust Merc. RW graphite (Not Shown)
7	283301	Gasket: Riser Exhaust VR1 RW (Not Shown)
8	283072	Gasket: MP Gasket (Old Style) (Not Shown)

**/// MARINE POWER<sup>®</sup>**

*The Force Behind The Fun.*

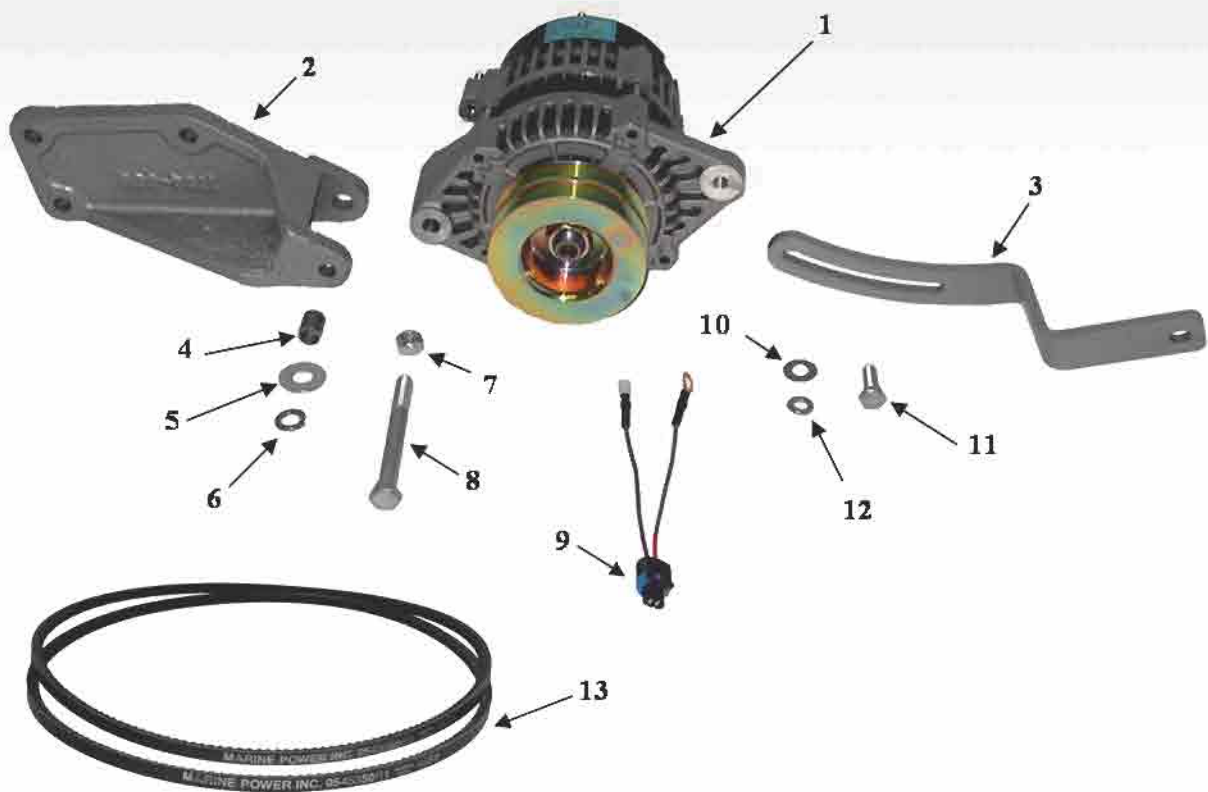
**Electrical**

**/// MARINE POWER<sup>®</sup>**

*The Force Behind The Fun.*

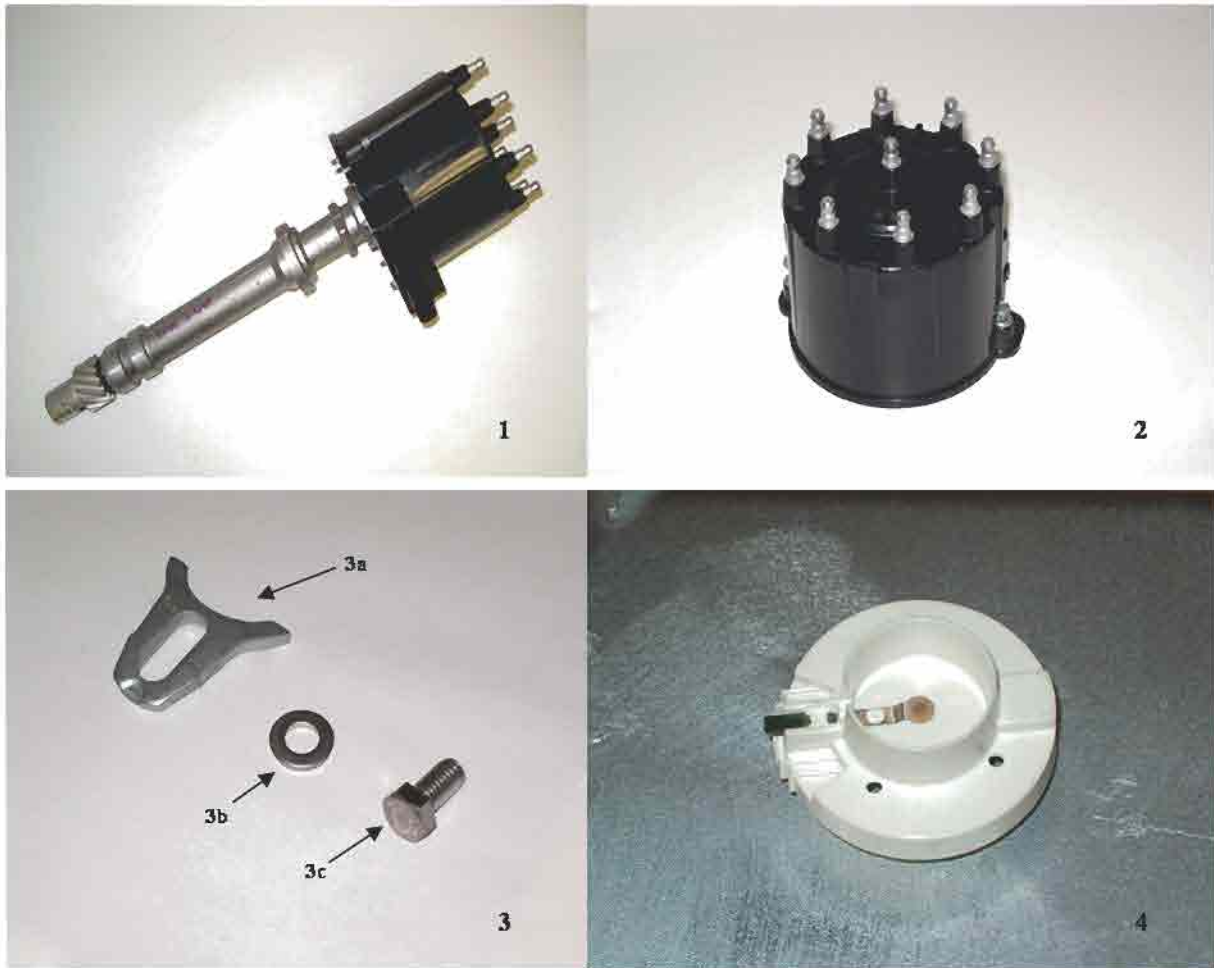


# Alternator System



<u>ITEM</u>	<u>PART NUMBER</u>	<u>DESCRIPTION</u>
1a	475702	Alternator: 70A 2v Belt 3.0-8.2
b	475752	Alternator: 95A 2v Belt 3.0-8.2
**	475904	Alternator: KIT 70A 2v Belt 3.0-8.2 (includes 471007)
2	290205	Bracket: 4.3 / 5.7 Alternator
3	292956	Bracket: 5.7 / 7.4 Tension Arm
4	244501	Spacer: Alternator Mt. 304 SS
5	N/A	3/8" Flat Washer (Thick) Large OD
6	N/A	3/8" Lock Washer
7	N/A	3/8" Nylon Lock Nut
8	N/A	3/8 x 3 3/4" NC SS Bolt
9	471007	Connector: Dual wire plug in- Alternator
10	N/A	5/16" Flat Washer
11	N/A	30mm M8/1.25 Bolt
12	N/A	5/16" Lock Washer
13	260505	Belt: V 5.7 Alternator Sportpac Enpac
	260531	Belt: V 5.7 Alternator Cal Jet (Not Shown)

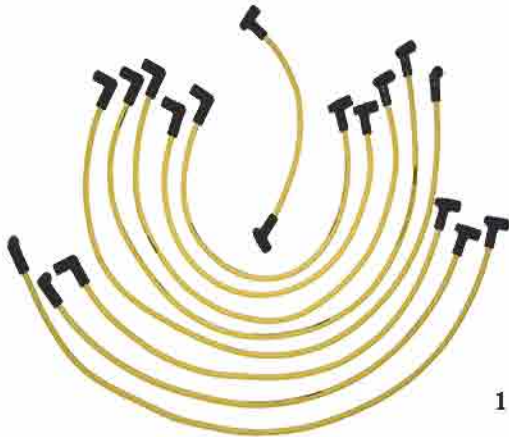
# Ignition System (Carbureted)



<u>ITEM</u>	<u>PART NUMBER</u>	<u>DESCRIPTION</u>
1	480151	Distributor: Delco Electronic 5.7 / 8.2
	480155	Distributor: Delco Electronic Reverse Rotation 5.7 / 8.2
2	482098	CAP: Distributor V8 Delco
3a	482226	Clamp: Distributor
3b	N/A	3/8" Flat Washer (Thick)
3c	N/A	Bolt: 3/8-16 x 1" NC SS
4	482288	Rotor: Distributor V8 Delco
	481084	** KIT: Distributor 5.7 - 8.2
	481159	** KIT: Distributor Reverse Rotation 5.7 - 8.2

\*\* KIT includes: Electronic Distributor, HP Coil, and Ignition Wire Set

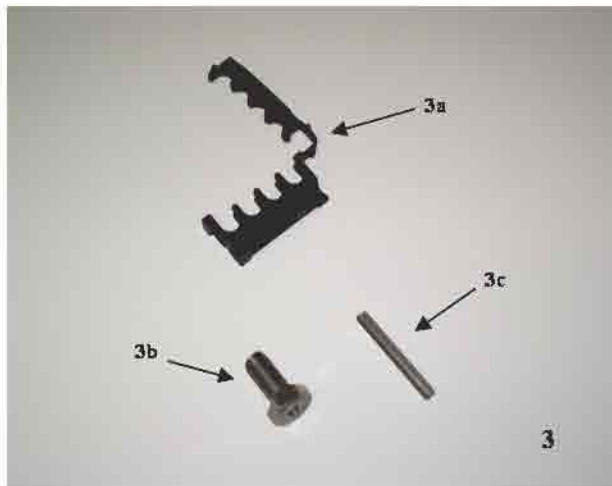
# Ignition System (Carbureted)



1



2



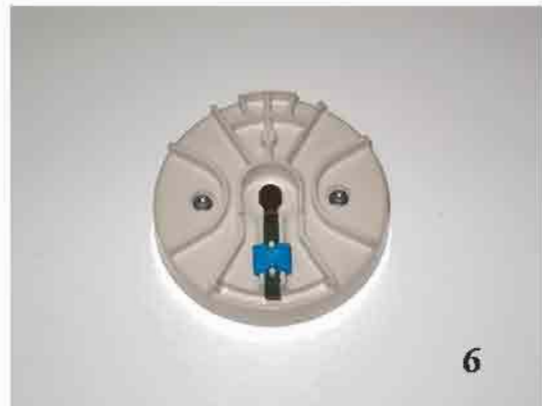
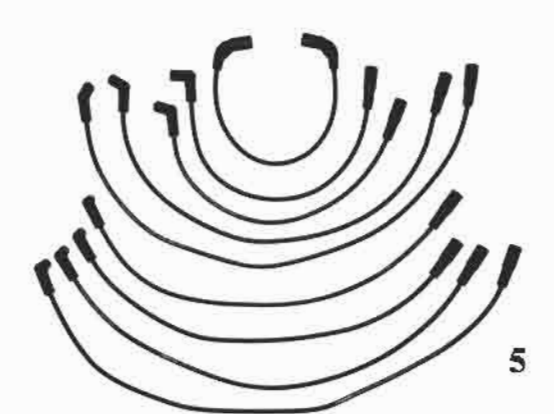
3



4

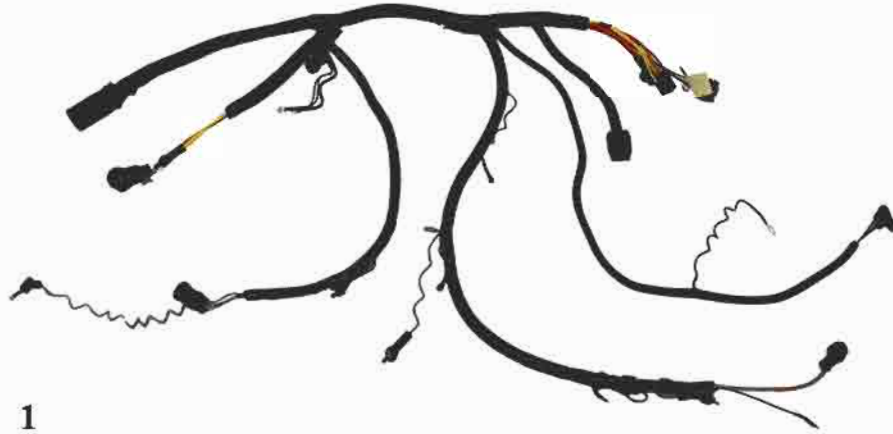
<u>ITEM</u>	<u>PART NUMBER</u>	<u>DESCRIPTION</u>
1	470511	Ignition Wire Set 4.3 / 8.2 yellow
2	479104	Spark Plug Vortec MR43LTS
3a	484004	Clip: Ignition Wire
3b	001519	Bolt: 5.7 LOOM SS
3c	001608	PIN: LOOM
4	481503	COIL: Delco Hi- Performance

# Ignition System (HVS)

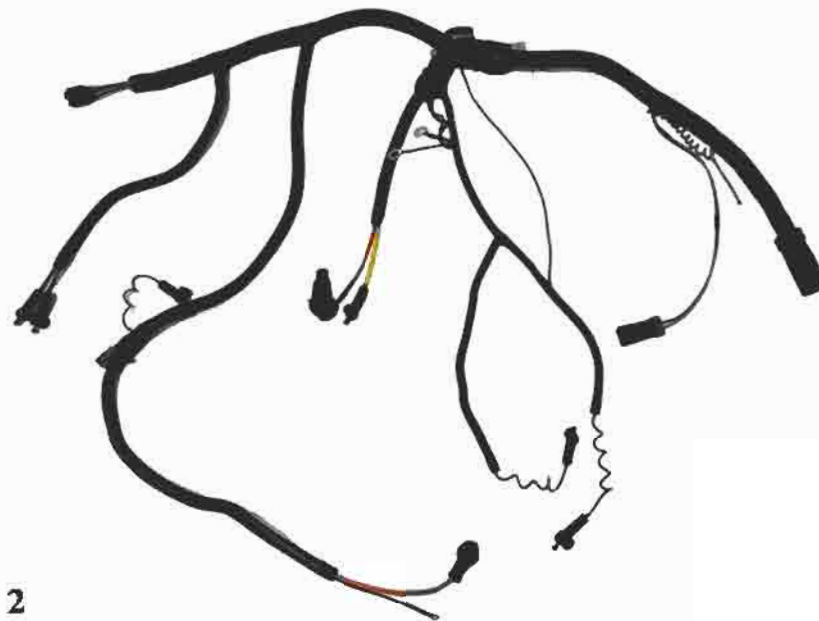


<u>ITEM</u>	<u>PART NUMBER</u>	<u>DESCRIPTION</u>
1	480359	Distributor: EFI Ignition Switch
2	N/A	
3	479111	Spark Plug: 5.7 / 6.0 / 8.1 Platinum
4	481553	4.3L / 5.7L HVS System Coil
5	470570	Ignition Wire Set 4.3 / 5.7 IAF Switch
6	N/A	

# Wiring Harnesses



1



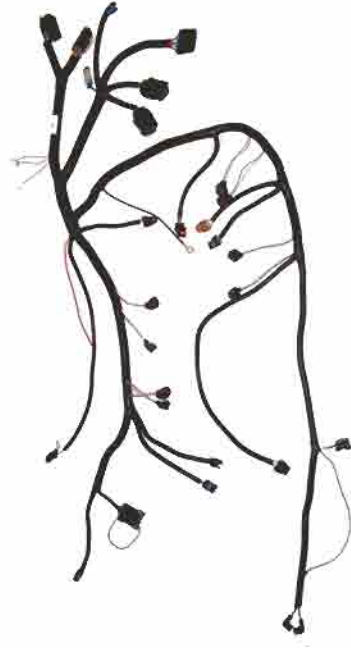
2

<u>ITEM</u>	<u>PART NUMBER</u>	<u>DESCRIPTION</u>
1	472302	Harness: Carbureted 3.0L- 8.2L
2	472403	Harness: Primary Eng. EFI >8/99

# EFI Components



1



3



2



4



5



6

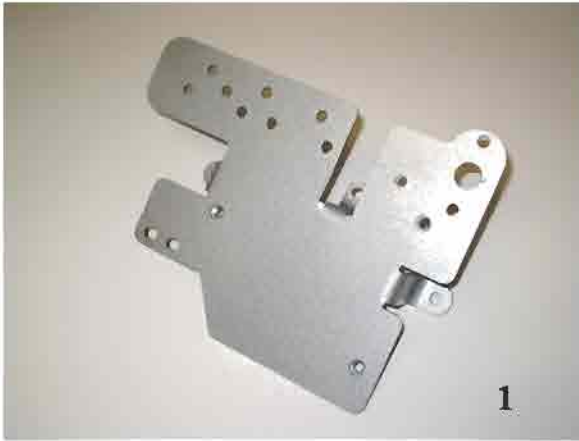


7

# EFI (Components)

<u>ITEM</u>	<u>PART NUMBER</u>	<u>DESCRIPTION</u>	
1a	476463	ECM Module: Mefi 4 ECM (#5)	
b	476552	ECM Module: Mefi 4 Level 18B	
c	476449	Module: ECM Mefi 3	(NOT SHOWN)
2	485006	Circuit Breaker: 50 AMP Ignition	
3a	472566	Harness: EFI secondary IAF HVS	
b	472605	Harness: 5.7 IAF Complete	(NOT SHOWN)
4	N/A	Module: Distributor BB> 5/98	
5	460004	Relay: 30 AMP Carb. Fuel Pump	
6a	462503	Sensor: MAP All EFI & MSTs	
b	462705	Sensor: Map 5.7 PFI (new & small)	(NOT SHOWN)
7	460256	Relay: Starter 70AMP w/BRKT	(NOT SHOWN)
8	460206	Relay: Starter Solenoid	(NOT SHOWN)
9	472263	Module: Knock 5.7	(NOT SHOWN)
10	460042	Relay Ignition: 40 AMP	(NOT SHOWN)
11	472441	Harness: EFI Secondary TBI Mefi 3	(NOT SHOWN)
12	472465	Harness: EFI Secondary MPI Edelbrock Mefi 3	(NOT SHOWN)
13	472542	Harness: EFI Secondary MPI Edelbrock Mefi 3	(NOT SHOWN)
14	472554	Harness: EFI Secondary IAF w/ Distributor	(NOT SHOWN)
15	446030	Injector: TBI 5.7L	(NOT SHOWN)
16	462503	Sensor: Mapp All EFI and MSTs	(NOT SHOWN)
17	285228	Gasket: TBI 51mm Bore 5.7 / 7.4L	(NOT SHOWN)

# Component Brackets



1



2



3



4



5

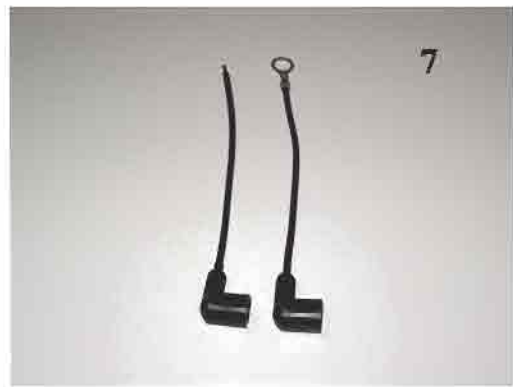
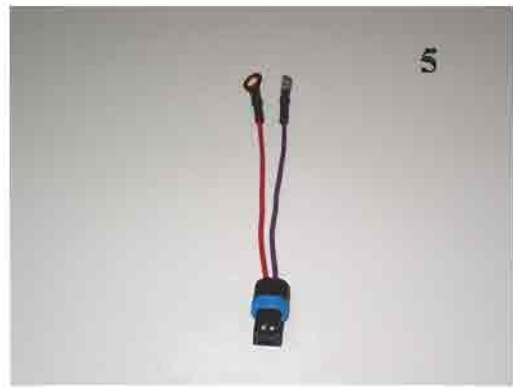
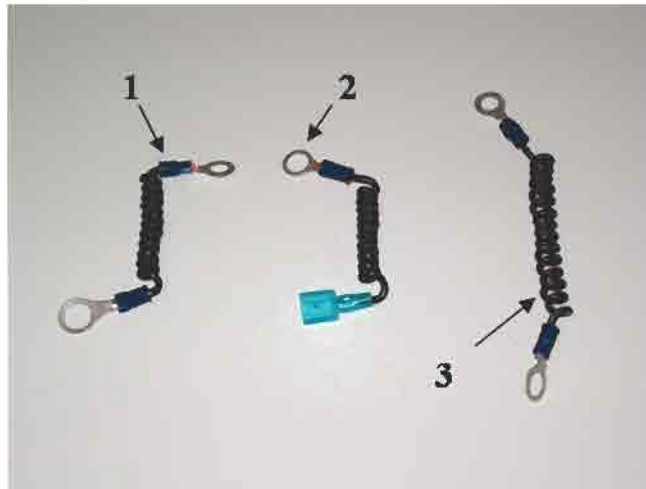
<u>ITEM</u>	<u>PART NUMBER</u>	<u>DESCRIPTION</u>
1	318407	Bracket: 5.7 Component BOSCH
	318419	Bracket: Component IAF Complete Harness (Not Shown)
2	318003	Bracket: 5.7 / 7.4 Elec. Component Bracket V8
3	433071	Accessory Throttle quick connect Ball Joint
4	433033	Accessory Throttle Clip single
	433057	Throttle control clip double
5	325654	Bracket: Throttle Extension

# Sensors & Switches



<u>ITEM</u>	<u>PART NUMBER</u>	<u>DESCRIPTION</u>
1	456601	Sender: Temp EFI and MSTs
2	457300	Switch: Gear Alarm Hi-Temp Oil
3	457083	Switch: Water Temp 3/8"
4	456132	Sender: Oil Dual 1/8"
5	240200	Fitting: Hobbs Tee Ext. 2.5"
6	457045	Switch: Oil Pressure 1/8" 7 Psi
7	457007	Switch: Hobbs Oil
8	456409	Sender: Water Single 3/8"
9	462084	Sensor: Knock 5.7L MSTs
10	288426	Gasket: Distributor
11	462856	Sensor: TPS GM throttle body MPI 5.7 / 8.2
12	457413	Alarm: Buzzer
13	457437	Alarm: Buzzer w/ light
14	456156	Sender: Oil Pressure Teleflex 1/8"
15	456423	Sender: Water Temp 1/2"
16	456435	Sender: Water Temp Dual 3/8"
17	456459	Sender: Water Temp Dual 1/2"
18	456485	Sender: Water Temp Teleflex 1/2"
19	456106	Sensor: Oil Pressure 1/8"

# Misc. Wires



# Misc. Wires

<u>ITEM</u>	<u>PART NUMBER</u>	<u>DESCRIPTION</u>	
1	N/A		
2	N/A		
3	N/A		
4	500101	Wire Lead: Hobs Oil Switch	
5	471007	Connector: Dual wire plug in-Alternator	
6	500442	Wire Lead: coil to harness	
7	500149	Wire Lead set: Electric Fuel Pump	
8	500428	Wire Lead: coil to distributor	
9	500492	Wire Lead: IGN shift interrupter	
10	009159	TOOL: Timing	(Shown as #9)
	473037	Harness: 03' Extension	(NOT SHOWN)
	473102	Harness: 10' Extension	(NOT SHOWN)
	473164	Harness: 16' Extension	(NOT SHOWN)
	473253	Harness: 25' Extension	(NOT SHOWN)
	473304	Harness: 30' Extension	(NOT SHOWN)
	473354	Harness: 35' Extension	(NOT SHOWN)
	473455	Harness: 45' Extension	(NOT SHOWN)
	473506	Harness: 50' Extension	(NOT SHOWN)
	473518	Harness: Y luhrs T0320	(NOT SHOWN)
	473520	Harness: Y Dual Station EXT	(NOT SHOWN)
	473809	Panel: Instrument Gas	(NOT SHOWN)
	500404	Wire Lead Coil - Distributor - Harness	(NOT SHOWN)

**MARINE POWER**®

*The Force Behind The Fun.*

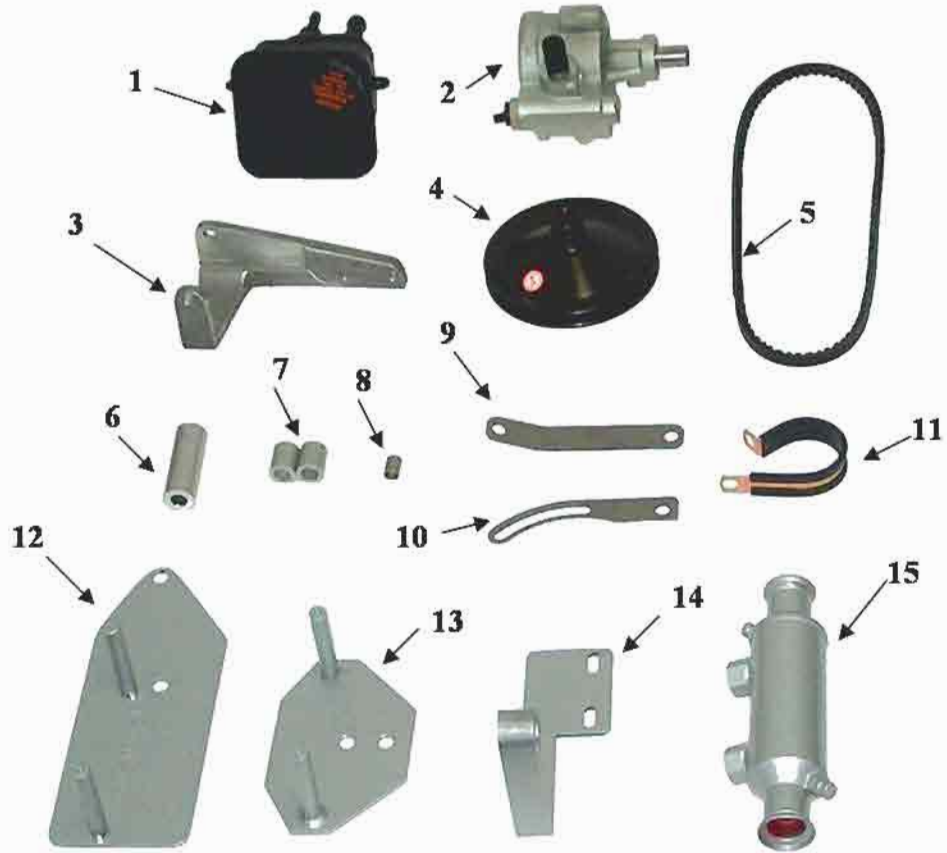
**Power Steering**

**MARINE POWER**®

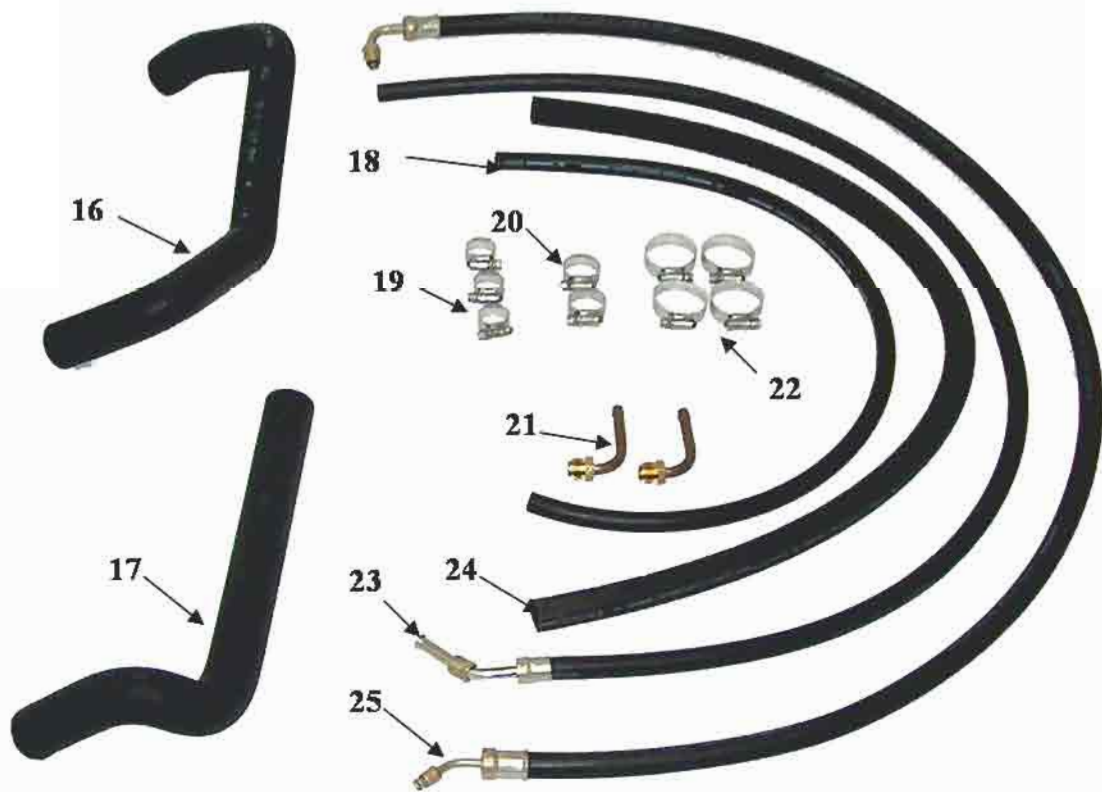
*The Force Behind The Fun.*



## Power Steering



## Power Steering



# Power Steering

<u>ITEM</u>	<u>PART NUMBER</u>	<u>DESCRIPTION</u>
1	521028	Reservoir: Power Steering Pump
2	521030	Power Steering Pump 3.0 / 8.2 w/o Reservoir
3	312936	Bracket: 5.7 Power Steering Mt.
4	514821	Pulley: Power Steering Pump
5	260404	Belt: Power Steering
6	244107	Spacer: Dual Oil Base EFI 2.625"
7	244082	Spacer: Universal 1"
8	244501	Spacer: Alternator Mt. 304 SS
9	007321	Bracket: Oil Cooler 6"
10	292920	Bracket: 3.0 Power Steering Pump Tension Arm
11	007321	Clamp: Utility #32 Rubber
12	319752	Bracket: 5.7 Power Steering Reservoir Raw water
13	319714	Bracket: 5.7 / 7.4 Power Steering Reservoir Fresh water
14	308735	Bracket: 5.7 Power Steering Seawater Pump
15	513440	Cooler: Oil 5 x 1 1/4"
16	273401	Hose: 4.3-8.2 Seawater pump to Thermostat
17	280507	Hose: Seawater pump to cooler
18	372122	Hose: Power Steering Reservoir to Cooler 3/8"
19	372108	Hose: Power Steering Oil Resistant 5/8"
20	387820	Hose: Power Steering Return
21	387806	Hose: Power Steering Pressure
22	242038	Fitting: Power Steering CLR hose
23	008082	Clamp: Hose #8
24	008107	Clamp: Hose #10
25	008208	Clamp: Hose #20

**/// MARINE POWER<sup>®</sup>**

*The Force Behind The Fun.*

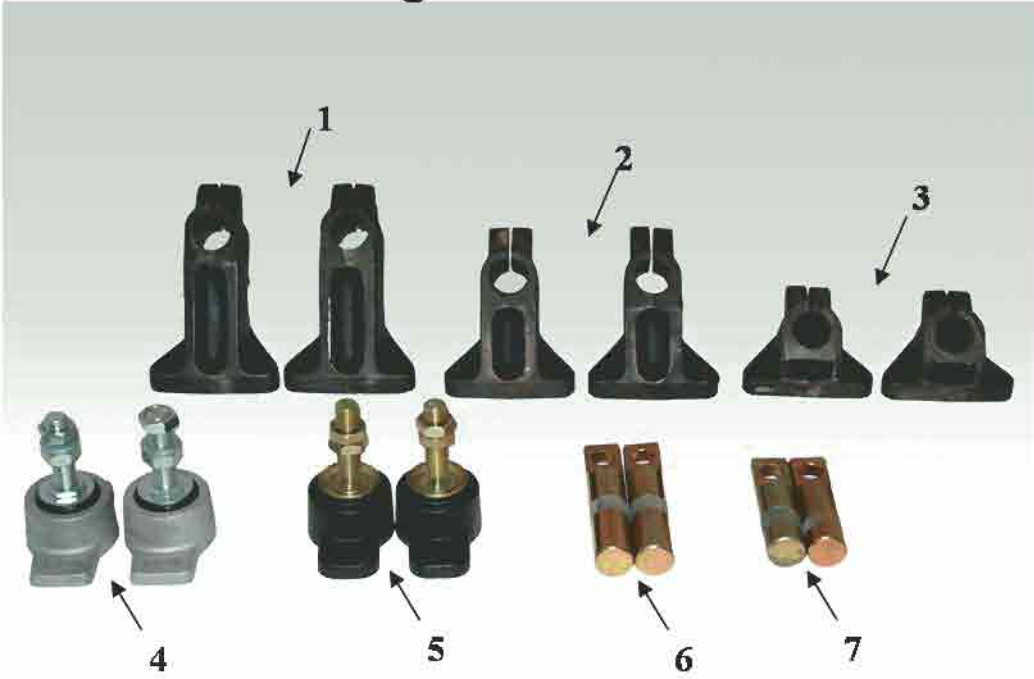
**Mounts**



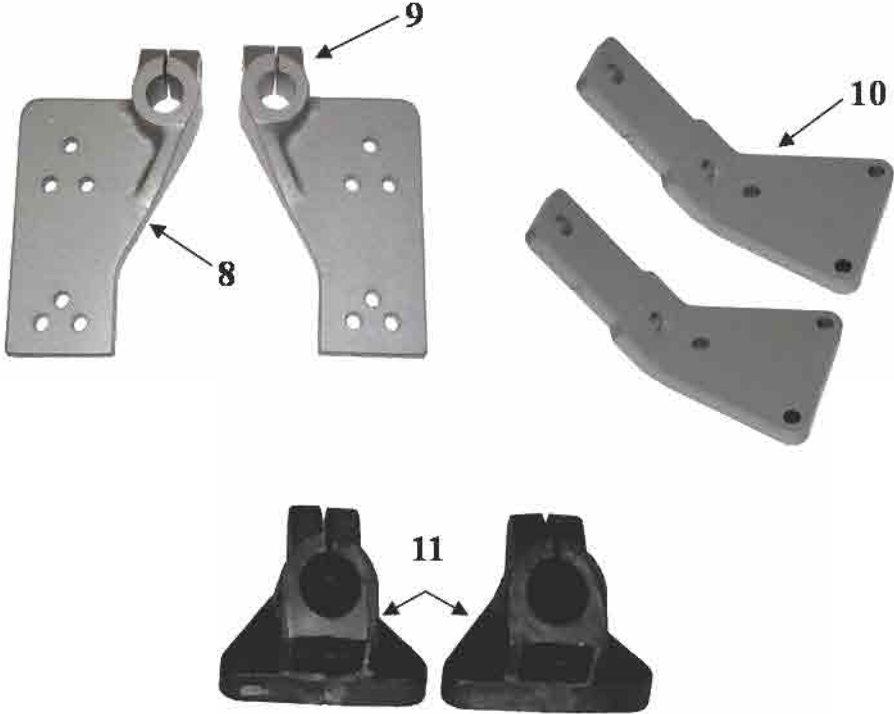
**/// MARINE POWER<sup>®</sup>**

*The Force Behind The Fun.*

# Engine Mounts



# Gear Mounts



# Mounts

<u>ITEM</u>	<u>PART NUMBER</u>	<u>DESCRIPTION</u>
1	330441	Mount: V6/V8 Tall Trunion
2	330427	Mount: Trunion Medium Iron
3	330403	Mount: V6/V8 Short Trunion
4	<b>(Discontinued)</b>	Mount: Isolator 3/4"
5	330200	Mount: Isolator 3/4"
6	331722	PIN: Trunion Engine / Gear 6"
7	331708	PIN: Trunion Engine / Gear 4"
8	330352	Mount: Universal VD / Hurth <b>(port)</b>
9	330338	Mount: Universal VD / Hurth <b>(starboard)</b>
10	328105	Bracket: Mount Adapter Gear 45D
11	330403	Mount: V6/V8 Short Trunion
12	331607	Pin Trunion Dual Assembly <b>(Not Shown)</b>

**/// MARINEPOWER®**

*The Force Behind The Fun.*

**Oil Filter**



**/// MARINEPOWER®**

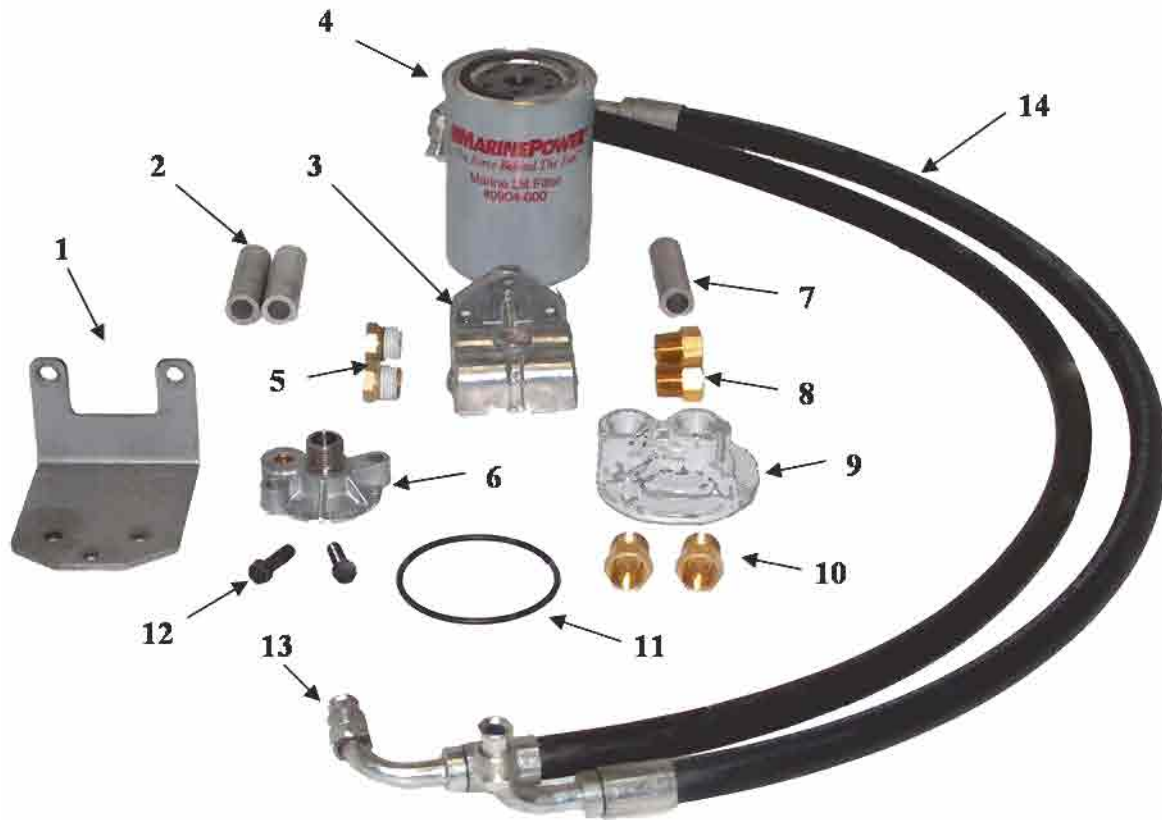
*The Force Behind The Fun.*

# Base Oil System



<u>ITEM</u>	<u>PART NUMBER</u>	<u>DESCRIPTION</u>
1	397542	Filter: Oil Enpac
2	372045	Adapter: 5.7 Oil Filter w/ Bypass
3	001280	Bolt GM: Oil Bypass Adapter (GM)

# Single Remote Oil System



<u>ITEM</u>	<u>PART NUMBER</u>	<u>DESCRIPTION</u>	
1	295457	Bracket: 6.0 Filter Oil	
2	244107	Spacer: Dual Oil Base EFI 2.625"	
3	372502	Base: Filter Oil Single	
4	397554	Filter: Oil Sportpac	
5	231047	Plug: 1/2" Brass Hex Socket	
6	372045	Adapter: 5.7 Oil Filter w/ bypass	
7	244222	Spacer: Dual Oil Base EFI 2.82"	
8	224042	Fitting: Remote Oil System	
9	372158	Cover: Oil bypass V8	(includes #11)
10	224042	Fitting: Remote Oil System	
11	N/A	O-Ring: Adapter Cover V8 / 6.5	(included with #9)
12	001280	GM Bolt: Oil bypass adapter	
13	387515	Oil Line: 51" Sportpac 90-90	
14	387515	Oil Line: 51" Sportpac 90-90	

# Dual Remote Oil System



<u>ITEM</u>	<u>PART NUMBER</u>	<u>DESCRIPTION</u>	
1	295255	Bracket: Dual Oil Cal-Jet	
2	244107	Spacer: Dual Oil Base EFI 2.625"	
3	397578	Filter: Oil Sportpac	
4	387301	Oil Line: 30" Sportpac 90-90	
5	387301	Oil Line: 30" Sportpac 90-90	
6	244042	Spacer: Dual Oil Base EFI 2.82"	
7	372552	Base: Filter Oil Dual	
8	224042	Fitting: Remote Oil System	
9	372158	Cover: Oil bypass V8	(includes #11)
10	224042	Fitting: Remote Oil System	
11	N/A	O-Ring: Adapter Cover V8 / 6.5	(included with #9)
12	397542	Bolt GM: Oil bypass adapter	
13	372045	Adapter: 5.7 Oil Filter w/ bypass	
14	230045	Plug: 1/2" Brass Hex Socket	

**/// MARINE POWER<sup>®</sup>**

*The Force Behind The Fun.*

**Fittings**



**/// MARINE POWER<sup>®</sup>**

*The Force Behind The Fun.*

## Fittings



**206486**



**224042**



**202034**



**222036**



**222048**



**203339**



**201020**



**241226**



**204088**



**230045**



**206385**



**230019**



**203341**



**206082**



**231061**

## Additional Fittings

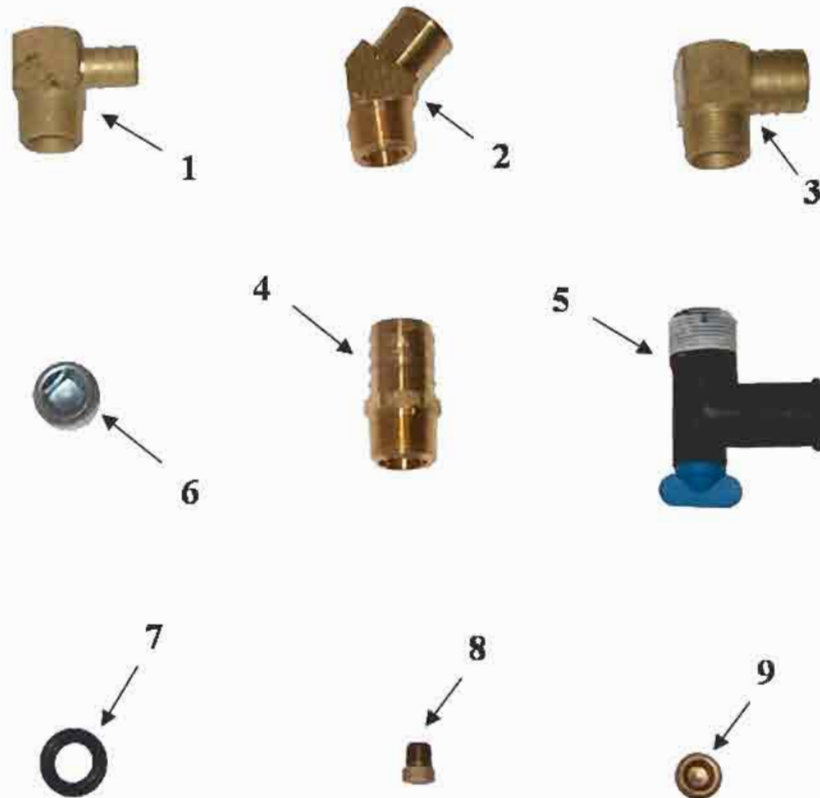
PART NUMBER

DESCRIPTION

240541	** Fitting: Vent Hose
241252	** Fitting: Holley Carb 5/8-18 x 7/8-20
242038	** Fitting: Power Steering CLR Hose
242052	** Fitting: Metric Power Steering 5/8 x 14
242064	** Fitting: Metric Power Steering 5/8 x 16

\*\* NOT SHOWN

## Exhaust Fittings & Hardware



<u>ITEM</u>	<u>PART NUMBER</u>	<u>DESCRIPTION</u>
1	203341	Fitting: 3/8" NPT x 1/2" HS EL
2	206486	Fitting: 3/4" NPT x 1 Hose Brass 45D
3	206385	Fitting: 3/4" NPT x 1 HS STR BRS
4	206082	Fitting: 3/4" NPT x 1 HS 90D BRS
5	200573	Fitting: 3/4 x 1" H90 w/drain plastic
6	231061	Plug: 3/4" Brass Hex Head Socket
7	282917	O-ring: Riser Exhaust AL MP2K RW
8	230019	Plug: 1/8" Brass Hex Head
9	231035	Plug: 3/8" Brass Hex Socket

# /// MARINEPOWER®


*The Force Behind The Fun.*

**Accessories**

...el means Cleaner Marine Engines  
... certified as:

The  
Cleaner Air and  
Better Fuel Eco  
Longer Emissions Wa


... for a healthier lifestyle and environment.  
... 30-40 percent less gas and oil than  
... calculated two stroke engines, saving  
... owner for worry free operation.



**/// MARINEPOWER**  
*The Force Behind The Fun.*

5.0 L  
&  
5.7 L

ENGINE  
SERVICE  
MANUAL



**Kits**



# /// MARINEPOWER®

*The Force Behind The Fun.*

# Kits and Accessories

<u>ITEM</u>	<u>PART NUMBER</u>	<u>DESCRIPTION</u>
1	009008	Paint: Silver Charcoal Touch up
2	009022	Paint: Dark Charcoal Touch up
3	009034	Paint: Dark Metallic Blue Touch up
4	009154	Tool: Timing
5	009197	Tool: EFI Tech Mate
6	009200	Tool: EFI Diacom Software
7	101011	Label: Decal Engine / Boat CAL Emissions
8	101022	Label: Tag Engine Emissions
9	101000	Label: Hang Tag Emission
10	105103	Manual: Engine Owners
11	105406	Manual: Gas Service 93
12	105501	Manual: Gas Service 2002
13	105608	Manual: EFI Reference Mefi 1&2
14	105634	Manual: EFI Reference Mefi 3
15	380004	Kit: Oil 5.7 Field Single Remote
16	448060	Kit: Carb 4160 600cfm
17	520002	Kit: FWC 5.7 Field Sptpac
18	520103	Kit: FWC 5.7 Field VR1
19	520305	Kit: FWC 5.7 Field Sptpac Rear Mt
20	810209	Rocker Arm: Kit 1.6:1 Roller

